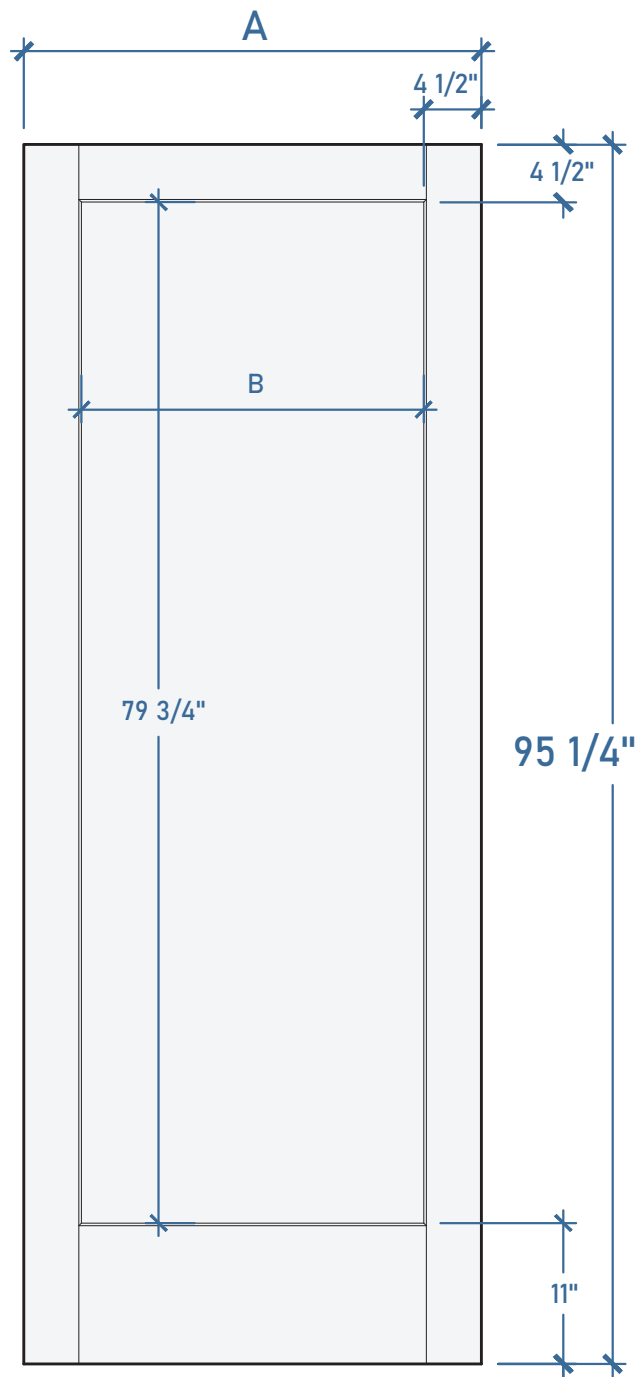
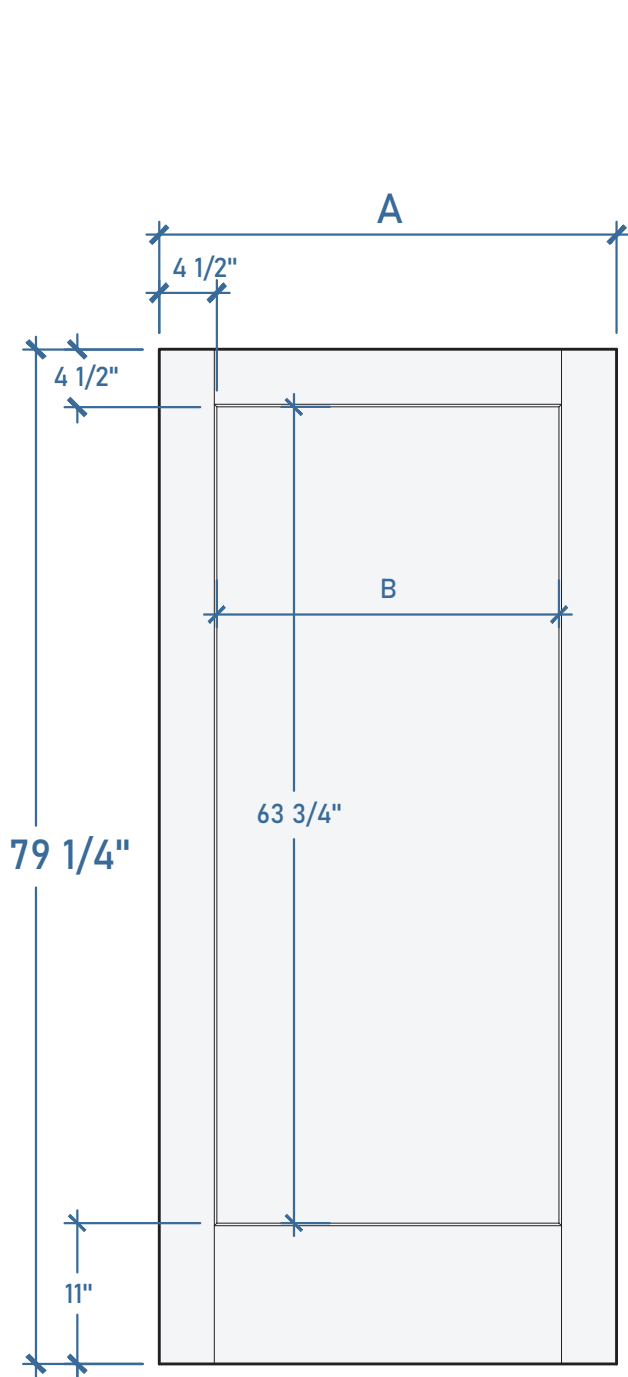


Flush Glazed
Smooth Skin
Fiberglass SDLs



NOVA Classic - Clear



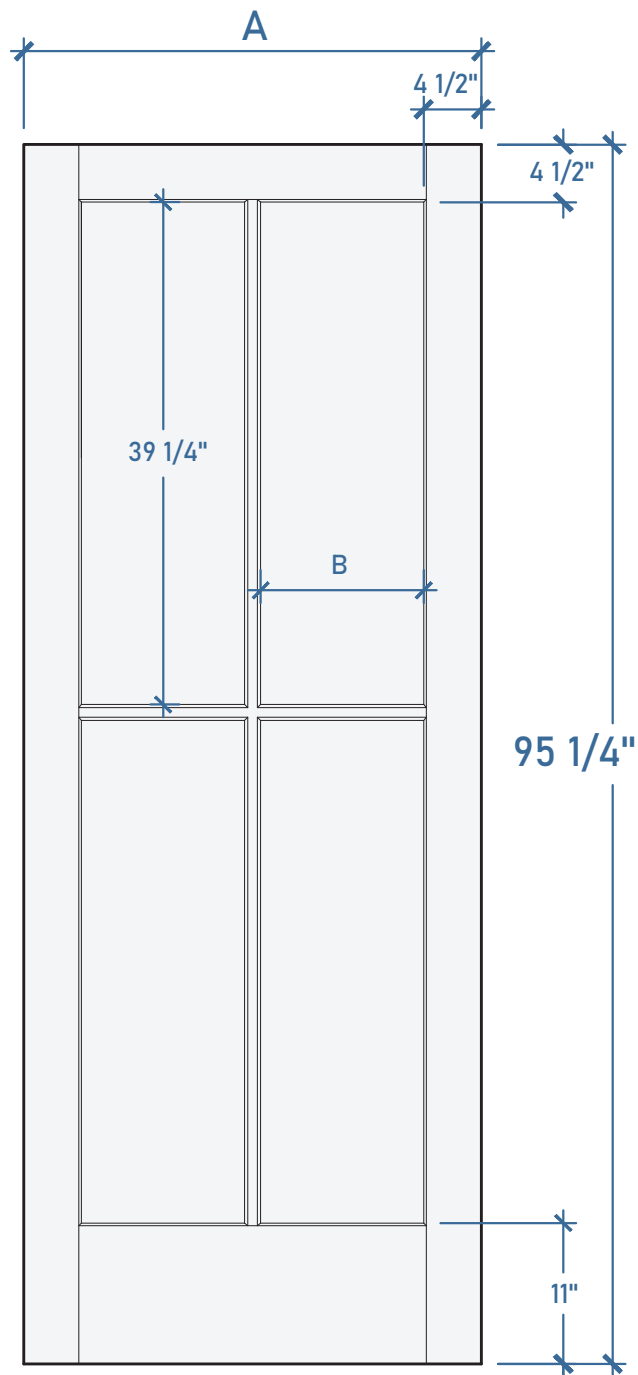
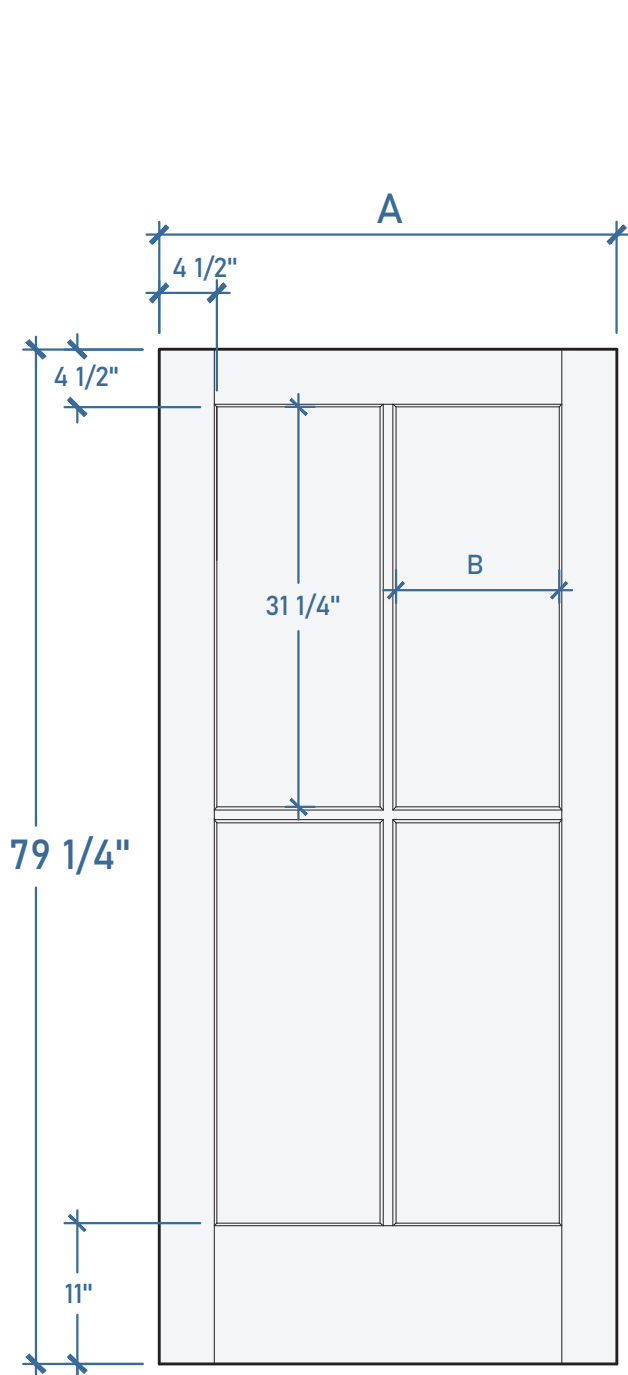
NC.S.30.68.CLR	3' 0"	A: 35-3/4"	B: 26-3/4"
NC.S.210.68.CLR	2' 10"	A: 33-3/4"	B: 24-3/4"
NC.S.28.68.CLR	2' 8"	A: 31-3/4"	B: 22-3/4"
NC.S.26.68.CLR	2' 6"	A: 29-3/4"	B: 20-3/4"
NC.S.24.68.CLR	2' 4"	A: 27-3/4"	B: 18-3/4"
NC.S.20.68.CLR	2' 0"	A: 23-3/4"	B: 14-3/4"

NC.S.30.80.CLR	3' 0"	A: 35-3/4"	B: 26-3/4"
NC.S.210.80.CLR	2' 10"	A: 33-3/4"	B: 24-3/4"
NC.S.28.80.CLR	2' 8"	A: 31-3/4"	B: 22-3/4"
NC.S.26.80.CLR	2' 6"	A: 29-3/4"	B: 20-3/4"
NC.S.24.80.CLR	2' 4"	A: 27-3/4"	B: 18-3/4"
NC.S.20.80.CLR	2' 0"	A: 23-3/4"	B: 14-3/4"

Flush Glazed
Smooth Skin
Fiberglass SDLs



NOVA Classic - Colonial 1V1H



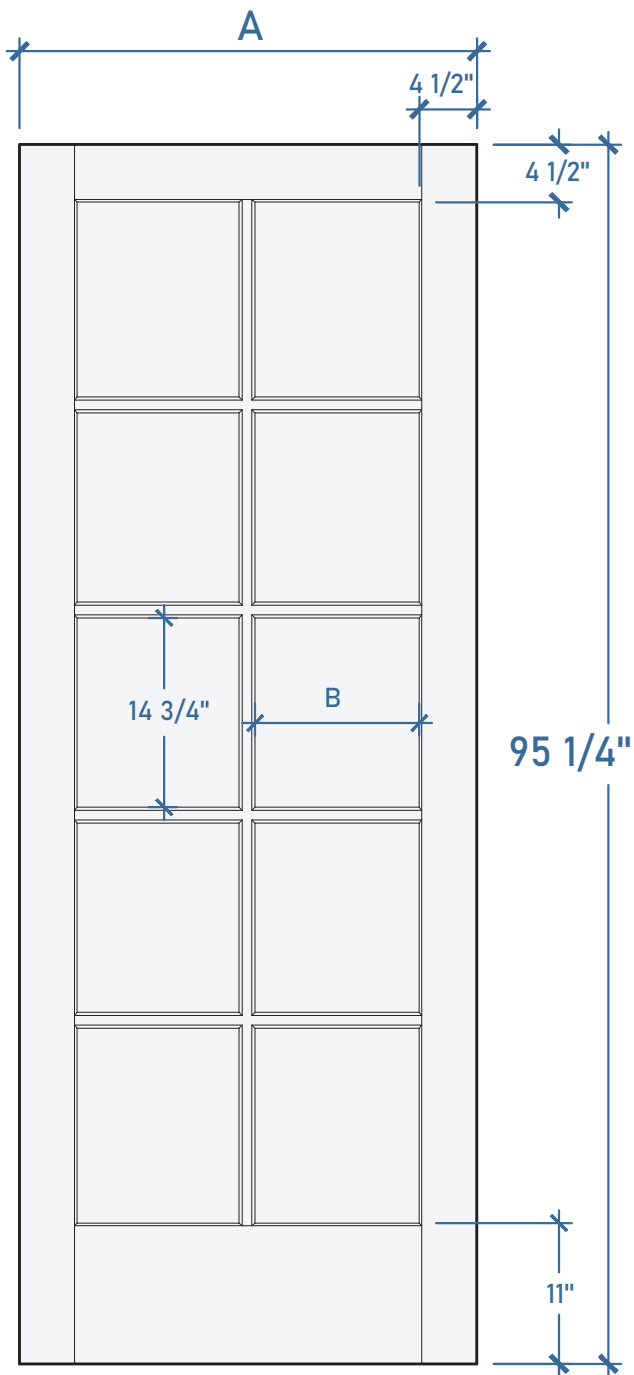
NC.S.30.68.C1V1H	3' 0"	A: 35-3/4"	B: 12-3/4"
NC.S.210.68.C1V1H	2' 10"	A: 33-3/4"	B: 11-3/4"
NC.S.28.68.C1V1H	2' 8"	A: 31-3/4"	B: 10-3/4"
NC.S.26.68.C1V1H	2' 6"	A: 29-3/4"	B: 9-3/4"
NC.S.24.68.C1V1H	2' 4"	A: 27-3/4"	B: 8-3/4"
NC.S.20.68.C1V1H	2' 0"	A: 23-3/4"	B: 6-3/4"

NC.S.30.80.C1V1H	3' 0"	A: 35-3/4"	B: 12-13/16"
NC.S.210.80.C1V1H	2' 10"	A: 33-3/4"	B: 11-3/4"
NC.S.28.80.C1V1H	2' 8"	A: 31-3/4"	B: 10-3/4"
NC.S.26.80.C1V1H	2' 6"	A: 29-3/4"	B: 9-3/4"
NC.S.24.80.C1V1H	2' 4"	A: 27-3/4"	B: 8-3/4"
NC.S.20.80.C1V1H	2' 0"	A: 23-3/4"	B: 6-3/4"

Flush Glazed
Smooth Skin
Fiberglass SDLs



NOVA Classic - Colonial 1V4H

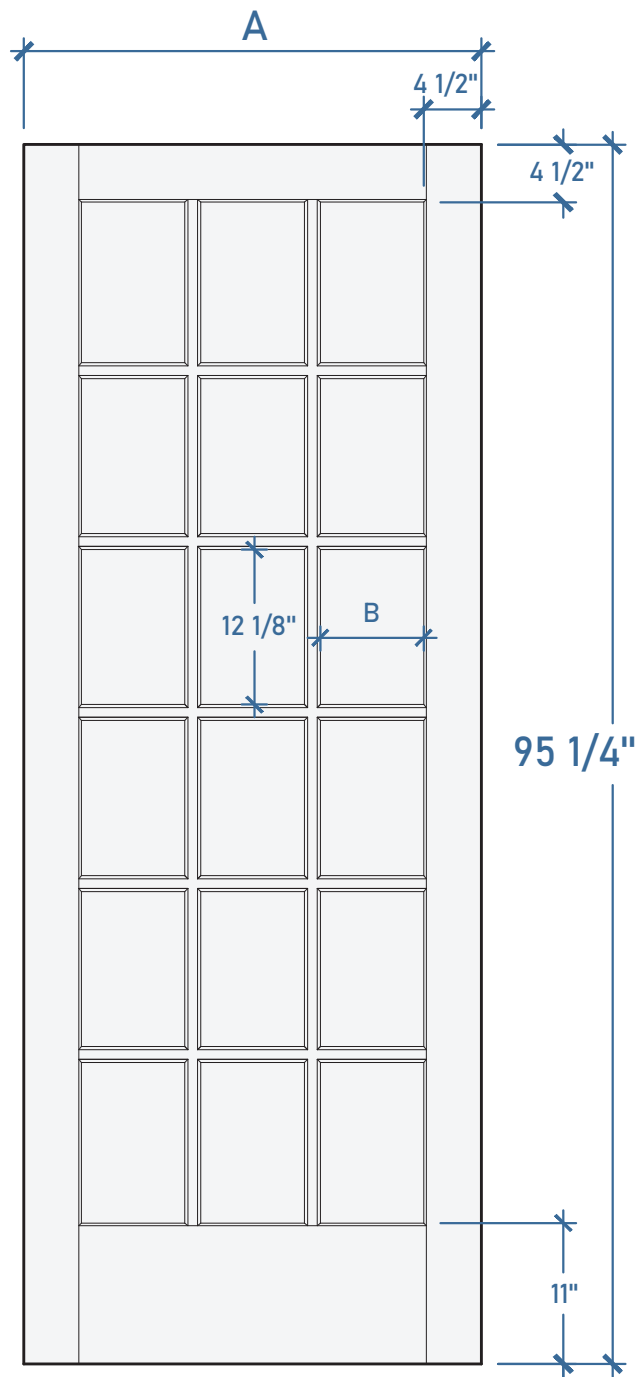
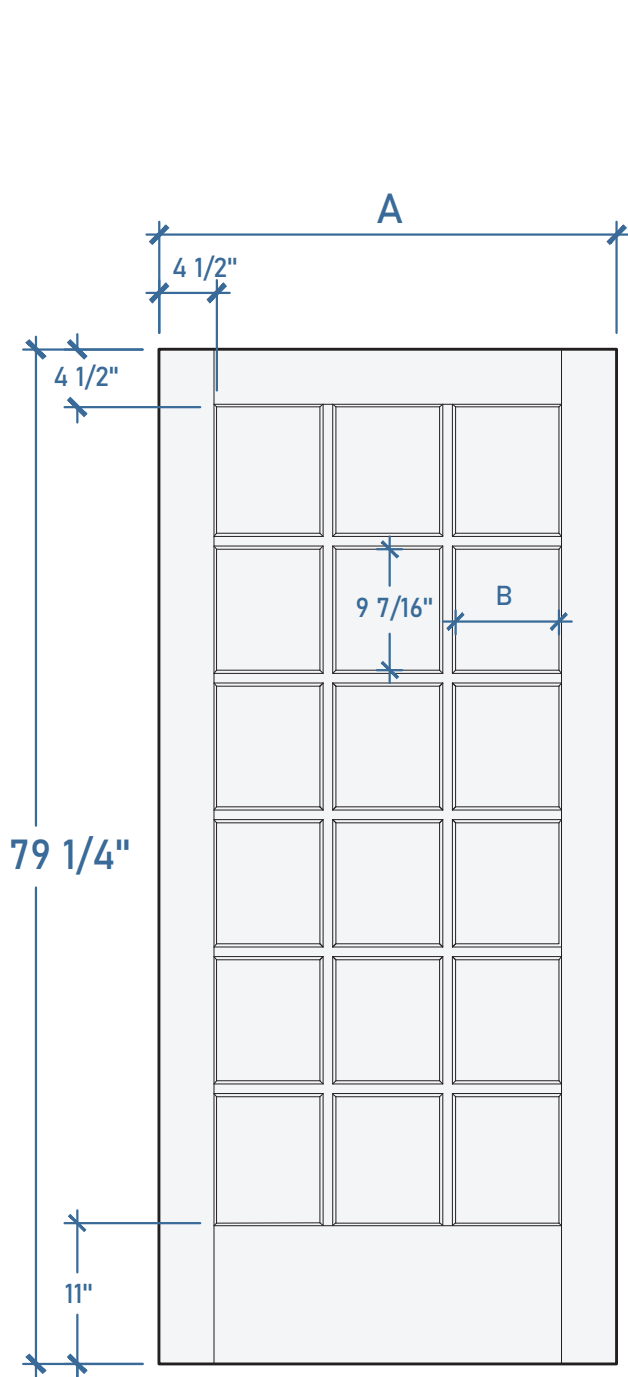


NC.S.30.80.CIV4H	3' 0"	A: 35-3/4"	B: 12-13/16"
NC.S.210.80.CIV4H	2' 10"	A: 33-3/4"	B: 11-3/4"
NC.S.28.80.CIV4H	2' 8"	A: 31-3/4"	B: 10-3/4"
NC.S.26.80.CIV4H	2' 6"	A: 29-3/4"	B: 9-3/4"
NC.S.24.80.CIV4H	2' 4"	A: 27-3/4"	B: 8-3/4"
NC.S.20.80.CIV4H	2' 0"	A: 23-3/4"	B: 6-3/4"

Flush Glazed
Smooth Skin
Fiberglass SDLs



NOVA Classic - Colonial 2V5H



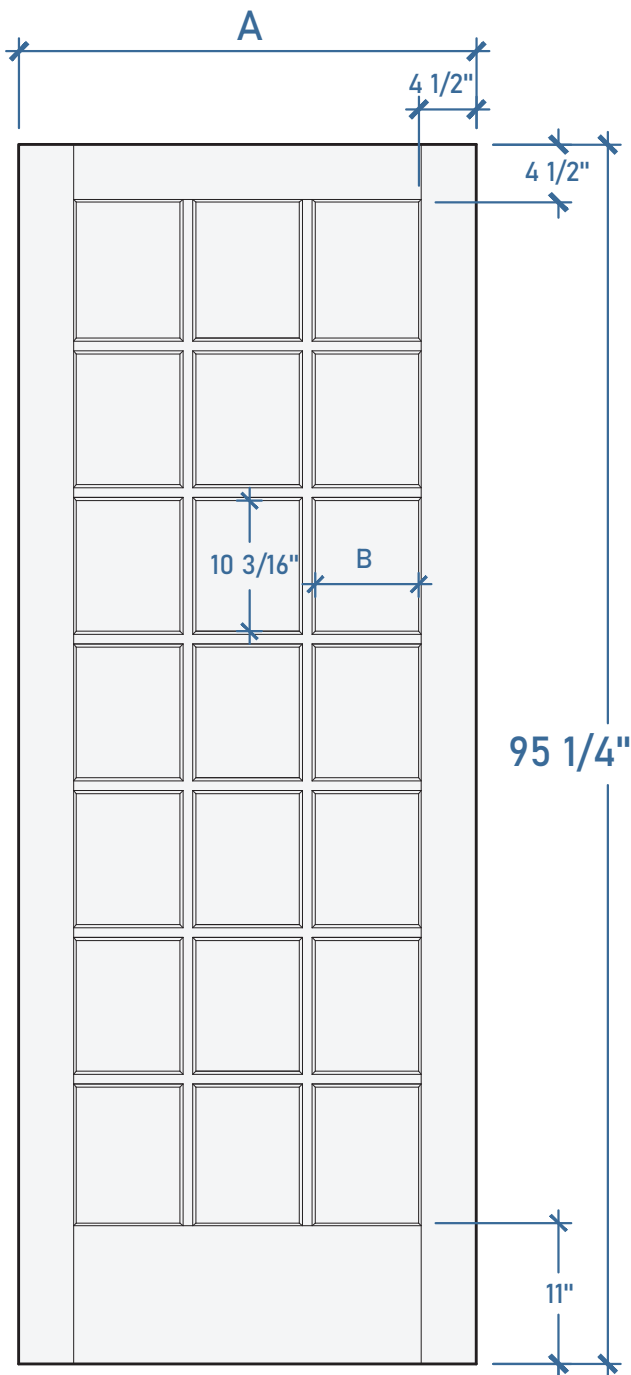
NC.S.30.68.C2V5H	3' 0"	A: 35-3/4"	B: 8-1/16"
NC.S.210.68.C2V5H	2' 10"	A: 33-3/4"	B: 7-9/16"
NC.S.28.68.C2V5H	2' 8"	A: 31-3/4"	B: 6-7/8"
NC.S.26.68.C2V5H	2' 6"	A: 29-3/4"	B: 6-1/4"
NC.S.24.68.C2V5H	2' 4"	A: 27-3/4"	B: 5-9/16"
NC.S.20.68.C2V5H	2' 0"	A: 23-3/4"	B: 4-1/4"

NC.S.30.80.C2V5H	3' 0"	A: 35-3/4"	B: 8-1/16"
NC.S.210.80.C2V5H	2' 10"	A: 33-3/4"	B: 7-9/16"
NC.S.28.80.C2V5H	2' 8"	A: 31-3/4"	B: 6-7/8"
NC.S.26.80.C2V5H	2' 6"	A: 29-3/4"	B: 6-1/4"
NC.S.24.80.C2V5H	2' 4"	A: 27-3/4"	B: 5-9/16"
NC.S.20.80.C2V5H	2' 0"	A: 23-3/4"	B: 4-1/4"

Flush Glazed
Smooth Skin
Fiberglass SDLs

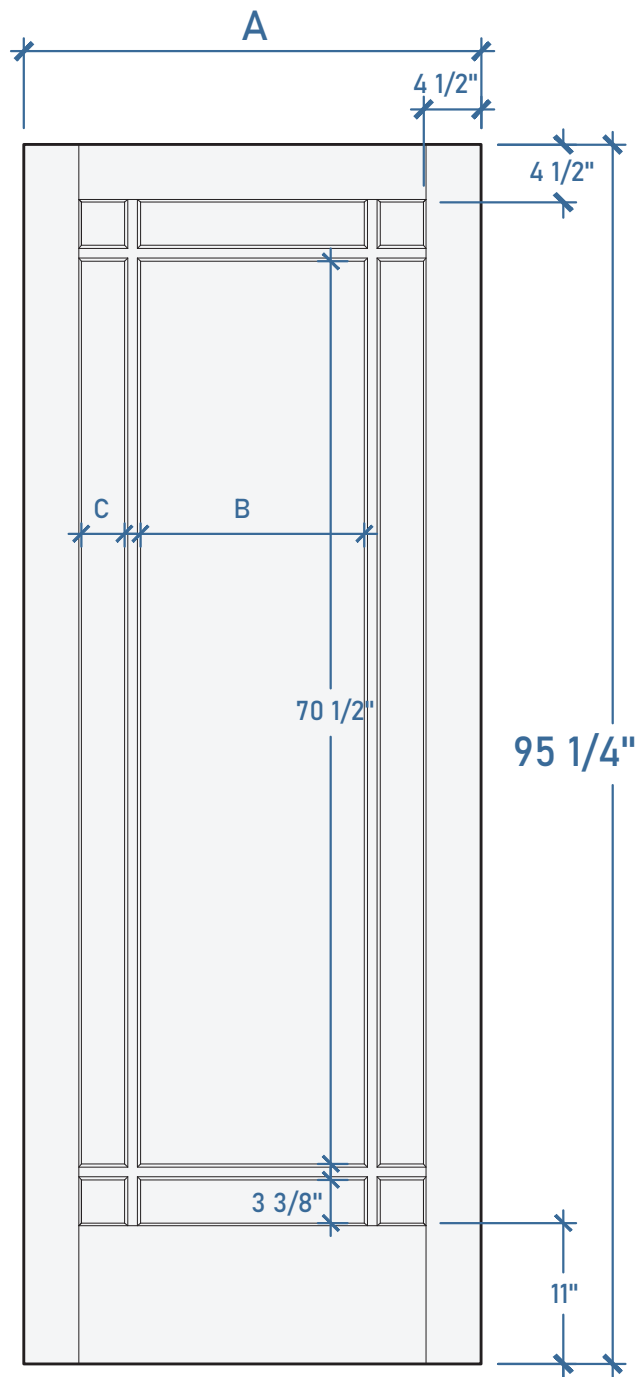
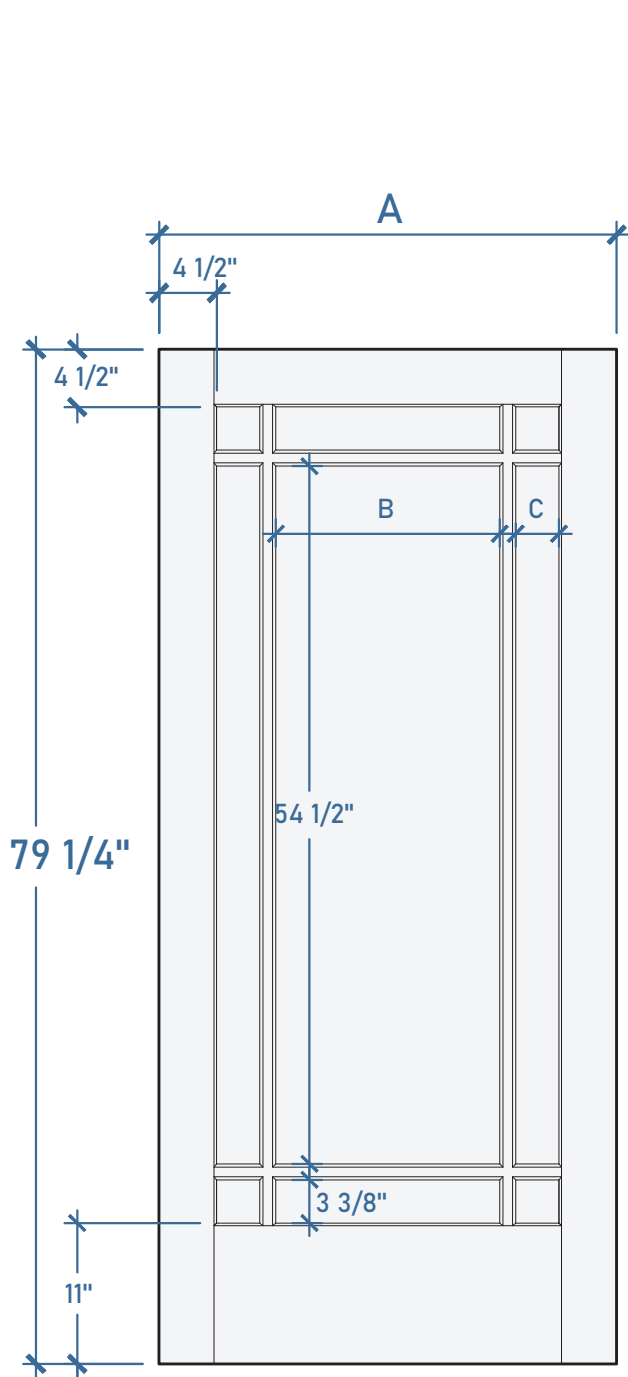


NOVA Classic - Colonial 2V6H



					NC.S.30.80.C2V6H	3' 0"	A: 35-3/4"	B: 8-1/16"	
					NC.S.210.80.C2V6H	2' 10"	A: 33-3/4"	B: 7-9/16"	
					NC.S.28.80.C2V6H	2' 8"	A: 31-3/4"	B: 6-7/8"	
					NC.S.26.80.C2V6H	2' 6"	A: 29-3/4"	B: 6-1/4"	
					NC.S.24.80.C2V6H	2' 4"	A: 27-3/4"	B: 5-9/16"	
					NC.S.20.80.C2V6H	2' 0"	A: 23-3/4"	B: 4-1/4"	

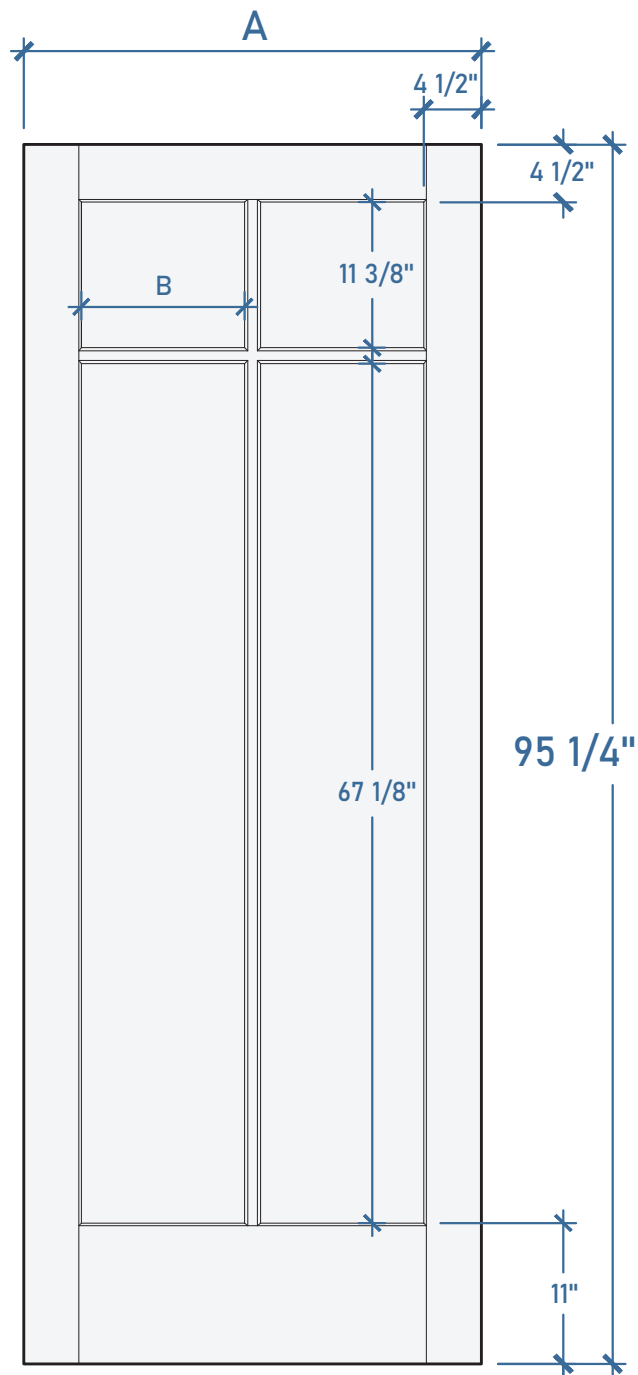
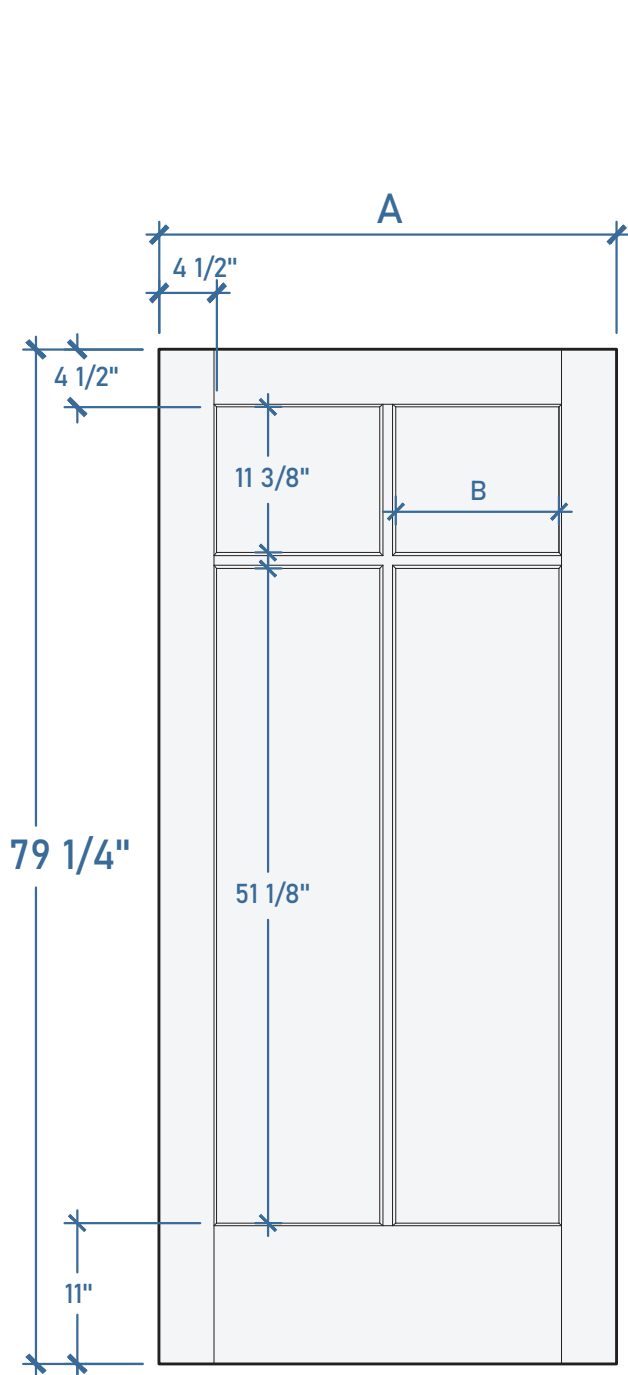
NOVA Classic - Prairie



NC.S.30.68.PRA	3' 0"	A: 35-3/4"	B: 17-1/2"	C: 3-3/8"
NC.S.210.68.PRA	2' 10"	A: 33-3/4"	B: 15-1/2"	C: 3-3/8"
NC.S.28.68.PRA	2' 8"	A: 31-3/4"	B: 13-1/2"	C: 3-3/8"
NC.S.26.68.PRA	2' 6"	A: 29-3/4"	B: 11-1/2"	C: 3-3/8"
NC.S.24.68.PRA	2' 4"	A: 27-3/4"	B: 9-1/2"	C: 3-3/8"
NC.S.20.68.PRA	2' 0"	A: 23-3/4"	B: 5-1/2"	C: 3-3/8"

NC.S.30.80.PRA	3' 0"	A: 35-3/4"	B: 17-1/2"	C: 3-3/8"
NC.S.210.80.PRA	2' 10"	A: 33-3/4"	B: 15-1/2"	C: 3-3/8"
NC.S.28.80.PRA	2' 8"	A: 31-3/4"	B: 13-1/2"	C: 3-3/8"
NC.S.26.80.PRA	2' 6"	A: 29-3/4"	B: 11-1/2"	C: 3-3/8"
NC.S.24.80.PRA	2' 4"	A: 27-3/4"	B: 9-1/2"	C: 3-3/8"
NC.S.20.80.PRA	2' 0"	A: 23-3/4"	B: 5-1/2"	C: 3-3/8"

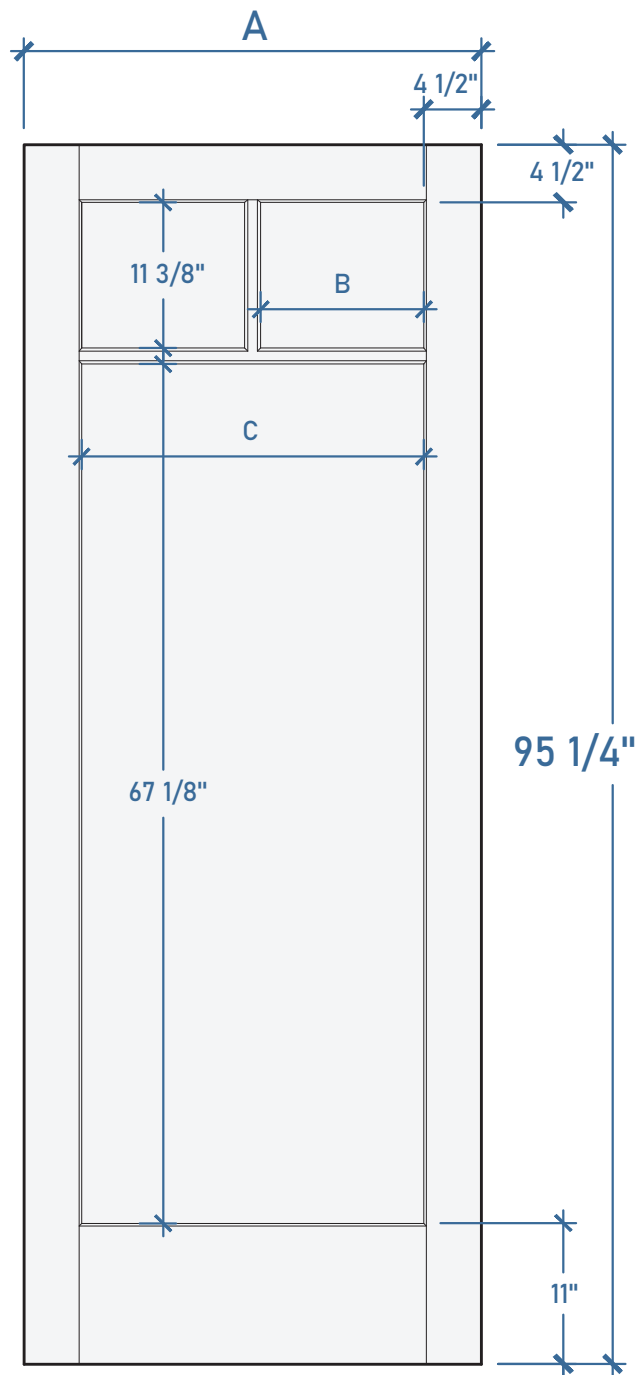
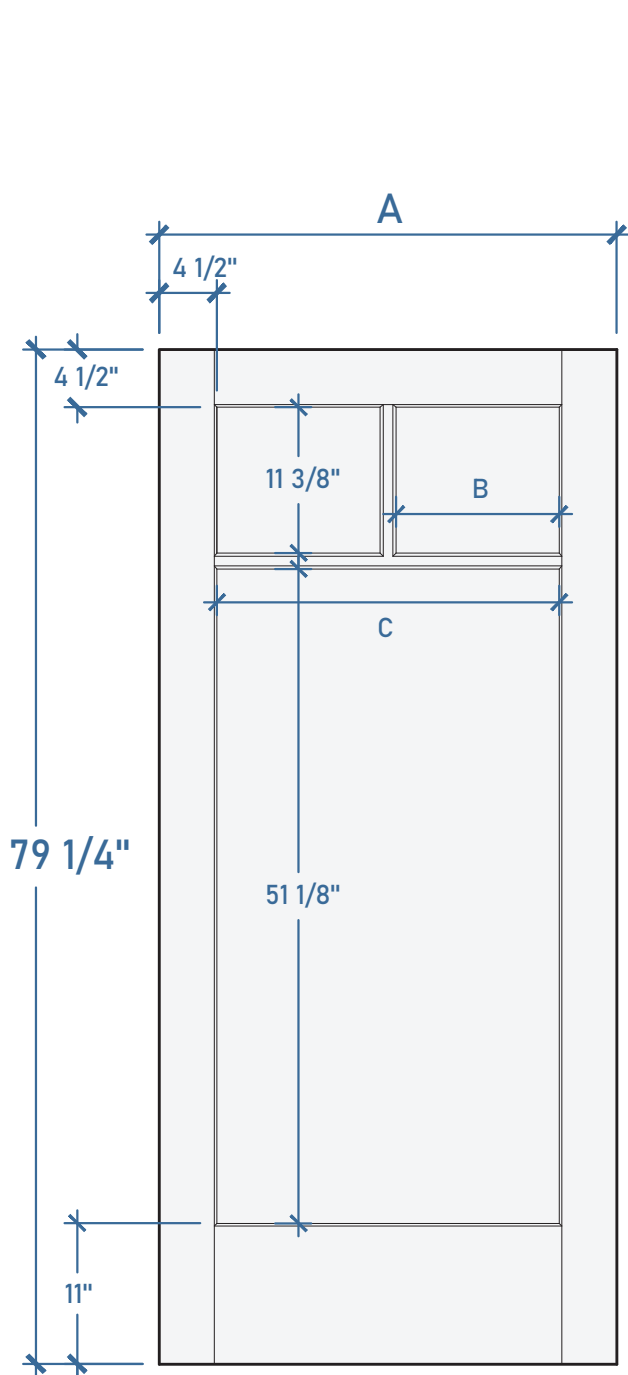
NOVA Classic - Traditional



NC.S.30.68.T	3' 0"	A: 35-3/4"	B: 12-3/4"
NC.S.210.68.T	2' 10"	A: 33-3/4"	B: 11-3/4"
NC.S.28.68.T	2' 8"	A: 31-3/4"	B: 10-3/4"
NC.S.26.68.T	2' 6"	A: 29-3/4"	B: 9-3/4"
NC.S.24.68.T	2' 4"	A: 27-3/4"	B: 8-3/4"
NC.S.20.68.T	2' 0"	A: 23-3/4"	B: 6-3/4"

NC.S.30.80.T	3' 0"	A: 35-3/4"	B: 12-3/4"
NC.S.210.80.T	2' 10"	A: 33-3/4"	B: 11-3/4"
NC.S.28.80.T	2' 8"	A: 31-3/4"	B: 10-3/4"
NC.S.26.80.T	2' 6"	A: 29-3/4"	B: 9-3/4"
NC.S.24.80.T	2' 4"	A: 27-3/4"	B: 8-3/4"
NC.S.20.80.T	2' 0"	A: 23-3/4"	B: 6-3/4"

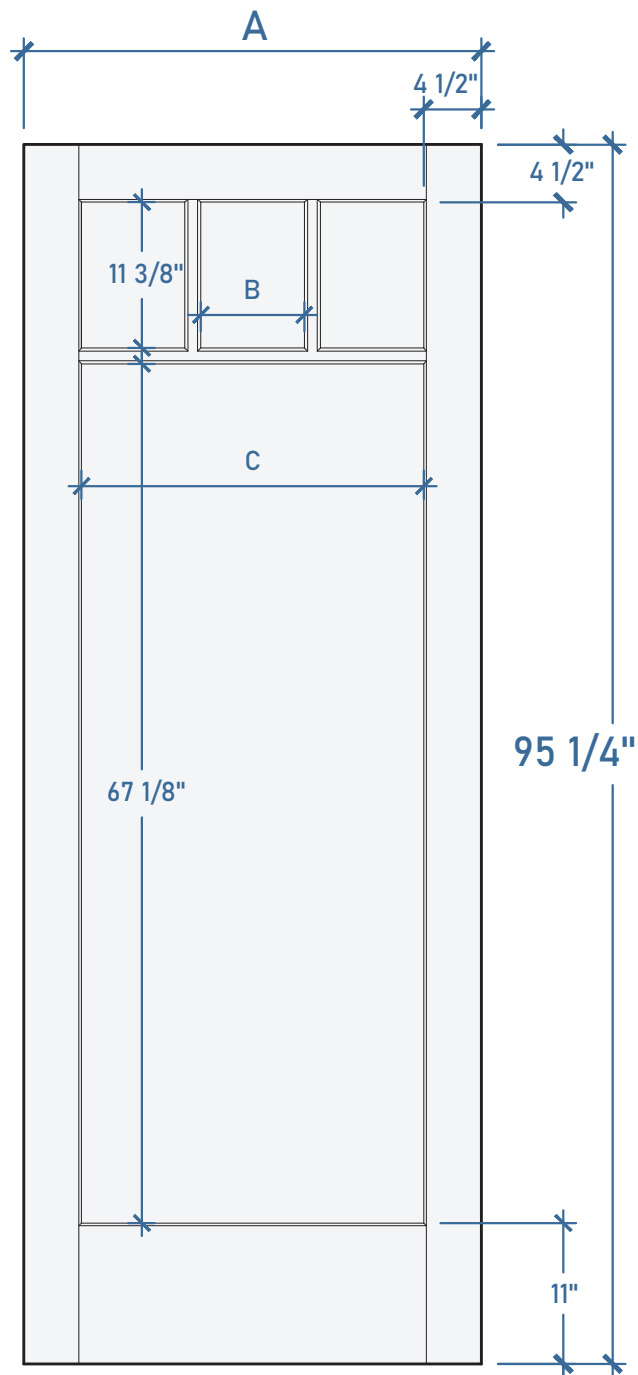
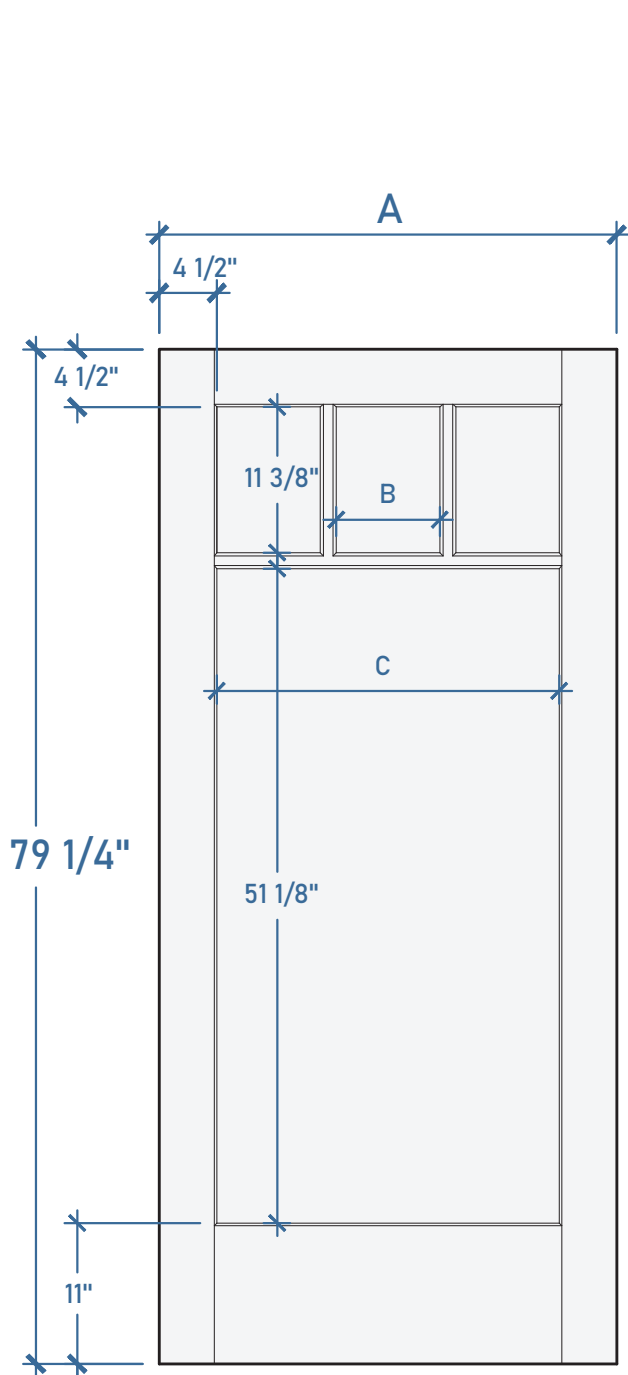
NOVA Classic - Plaza 1V



NC.S.30.68.PLZIV	3' 0"	A: 35-3/4"	B: 12-3/4"	C: 26-3/4"
NC.S.210.68.PLZIV	2' 10"	A: 33-3/4"	B: 11-3/4"	C: 24-3/4"
NC.S.28.68.PLZIV	2' 8"	A: 31-3/4"	B: 10-3/4"	C: 22-3/4"
NC.S.26.68.PLZIV	2' 6"	A: 29-3/4"	B: 9-3/4"	C: 20-3/4"
NC.S.24.68.PLZIV	2' 4"	A: 27-3/4"	B: 8-3/4"	C: 18-3/4"
NC.S.20.68.PLZIV	2' 0"	A: 23-3/4"	B: 6-3/4"	C: 14-3/4"

NC.S.30.80.PLZIV	3' 0"	A: 35-3/4"	B: 12-3/4"	C: 26-3/4"
NC.S.210.80.PLZIV	2' 10"	A: 33-3/4"	B: 11-3/4"	C: 24-3/4"
NC.S.28.80.PLZIV	2' 8"	A: 31-3/4"	B: 10-3/4"	C: 22-3/4"
NC.S.26.80.PLZIV	2' 6"	A: 29-3/4"	B: 9-3/4"	C: 20-3/4"
NC.S.24.80.PLZIV	2' 4"	A: 27-3/4"	B: 8-3/4"	C: 18-3/4"
NC.S.20.80.PLZIV	2' 0"	A: 23-3/4"	B: 6-3/4"	C: 14-3/4"

NOVA Classic - Plaza 2V



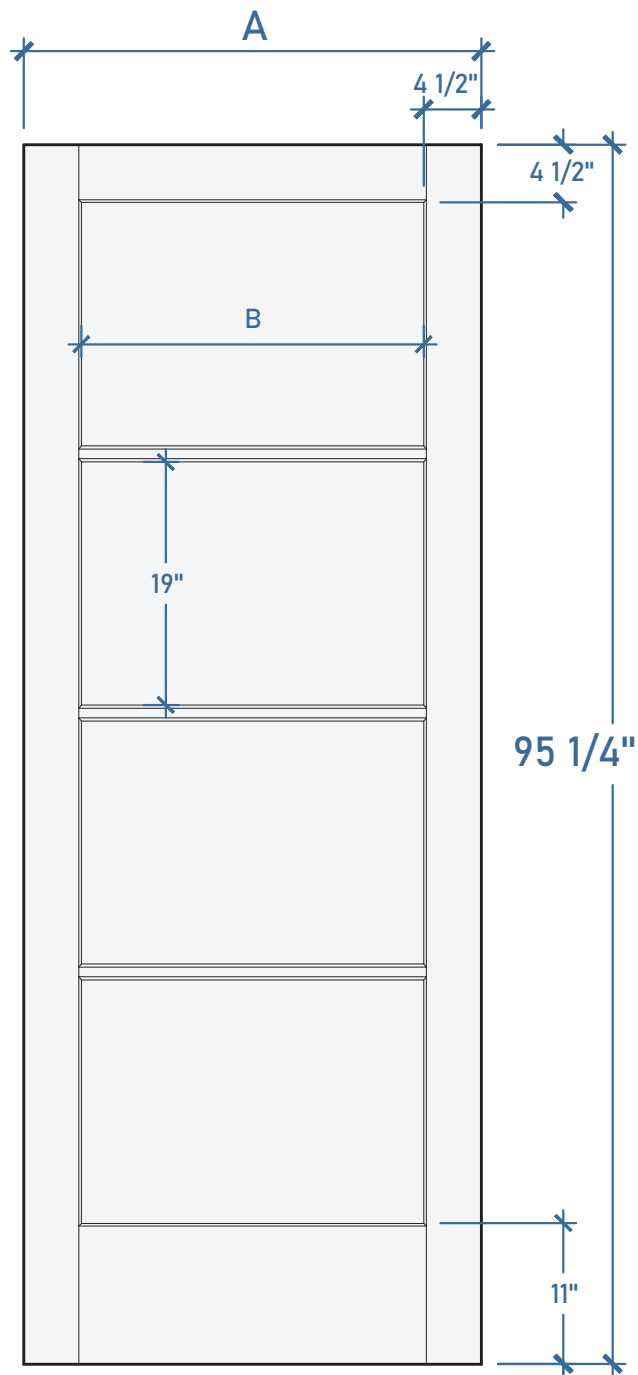
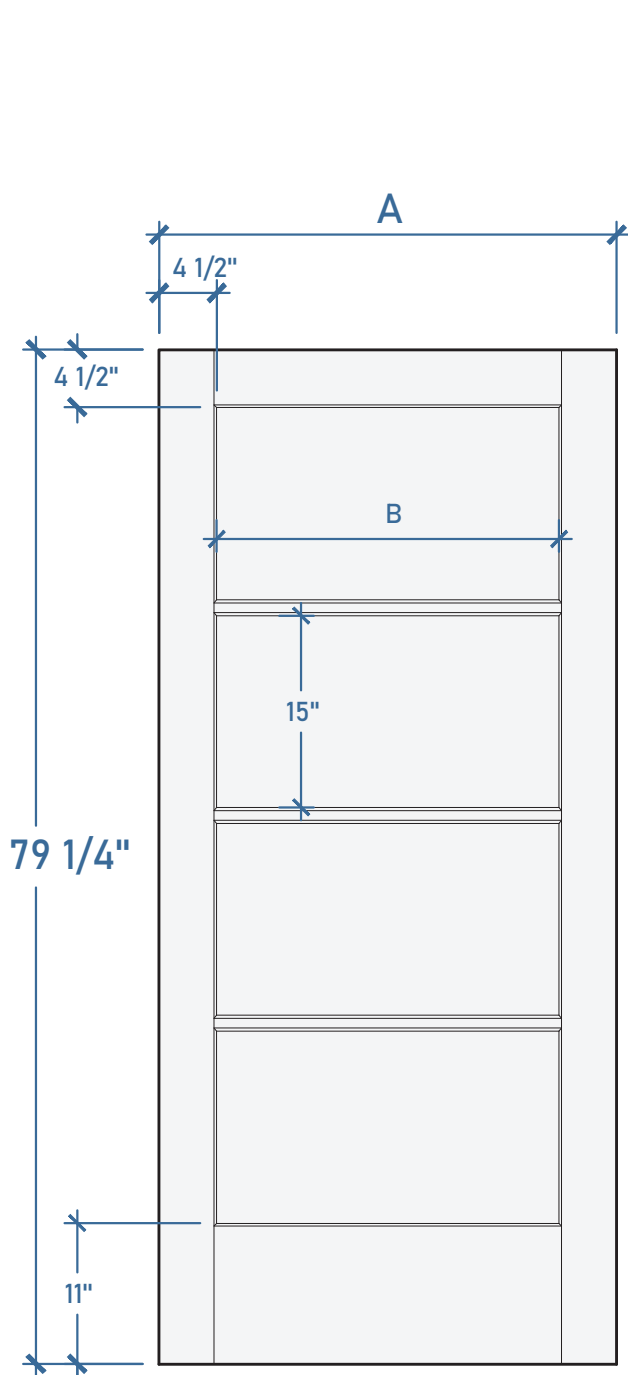
NC.S.30.68.PLZ2V	3' 0"	A: 35-3/4"	B: 8-1/16"	C: 26-3/4"
NC.S.210.68.PLZ2V	2' 10"	A: 33-3/4"	B: 7-9/16"	C: 24-3/4"
NC.S.28.68.PLZ2V	2' 8"	A: 31-3/4"	B: 6-7/8"	C: 22-3/4"
NC.S.26.68.PLZ2V	2' 6"	A: 29-3/4"	B: 6-1/4"	C: 20-3/4"
NC.S.24.68.PLZ2V	2' 4"	A: 27-3/4"	B: 5-9/16"	C: 18-3/4"
NC.S.20.68.PLZ2V	2' 0"	A: 23-3/4"	B: 4-1/4"	C: 14-3/4"

NC.S.30.80.PLZ2V	3' 0"	A: 35-3/4"	B: 8-1/16"	C: 26-3/4"
NC.S.210.80.PLZ2V	2' 10"	A: 33-3/4"	B: 7-9/16"	C: 24-3/4"
NC.S.28.80.PLZ2V	2' 8"	A: 31-3/4"	B: 6-7/8"	C: 22-3/4"
NC.S.26.80.PLZ2V	2' 6"	A: 29-3/4"	B: 6-1/4"	C: 20-3/4"
NC.S.24.80.PLZ2V	2' 4"	A: 27-3/4"	B: 5-9/16"	C: 18-3/4"
NC.S.20.80.PLZ2V	2' 0"	A: 23-3/4"	B: 4-1/4"	C: 14-3/4"

Flush Glazed
Smooth Skin
Fiberglass SDLs



NOVA Classic - Equal 3H



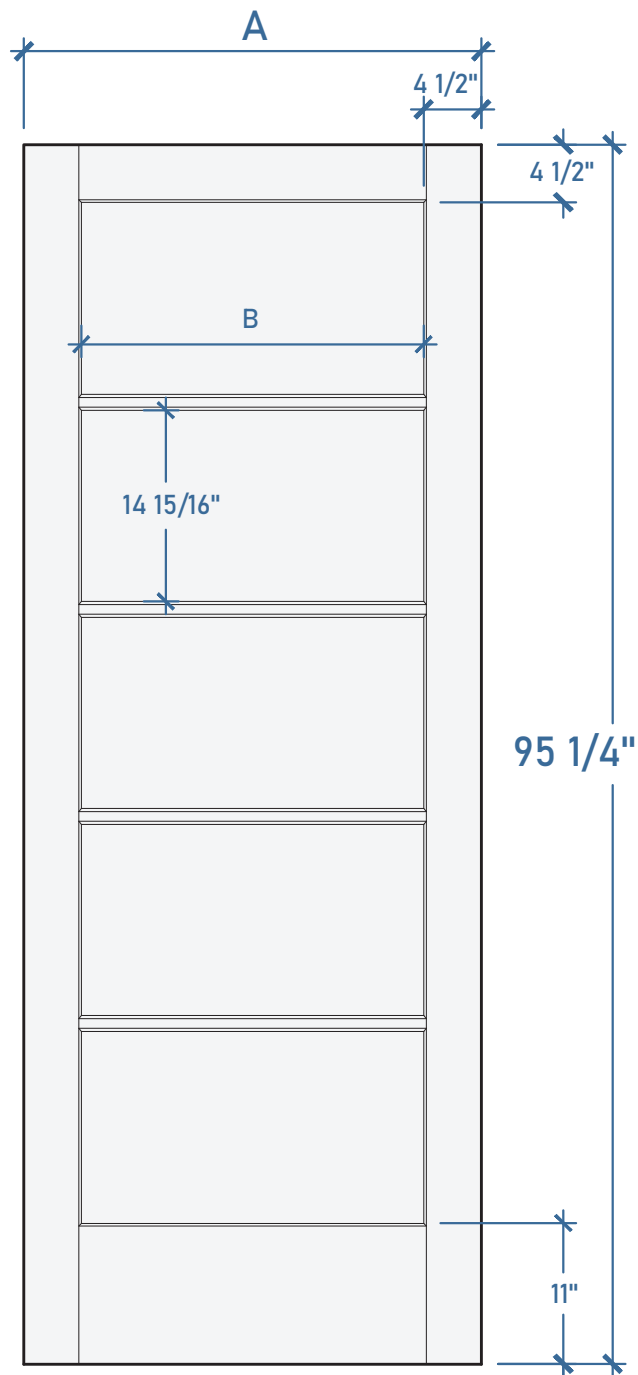
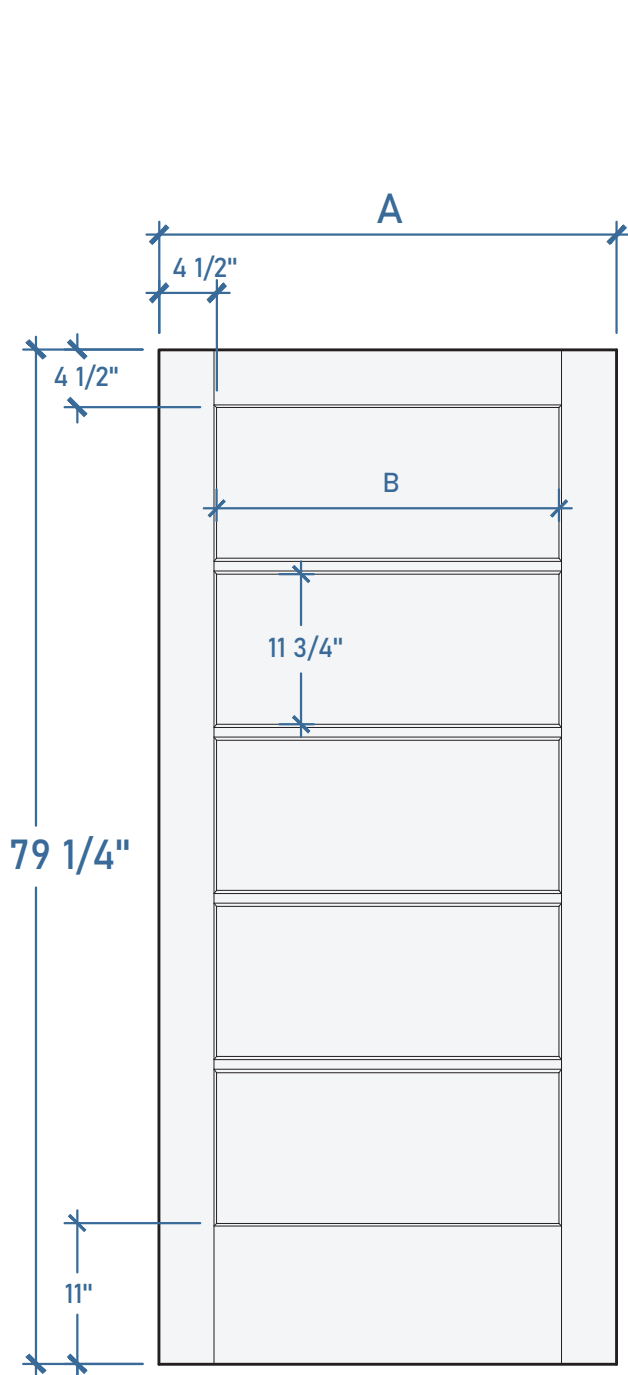
NC.S.30.68.E3	3' 0"	A: 35-3/4"	B: 26-3/4"
NC.S.210.68.E3	2' 10"	A: 33-3/4"	B: 24-3/4"
NC.S.28.68.E3	2' 8"	A: 31-3/4"	B: 22-3/4"
NC.S.26.68.E3	2' 6"	A: 29-3/4"	B: 20-3/4"
NC.S.24.68.E3	2' 4"	A: 27-3/4"	B: 18-3/4"
NC.S.20.68.E3	2' 0"	A: 23-3/4"	B: 14-3/4"

NC.S.30.80.E3	3' 0"	A: 35-3/4"	B: 26-3/4"
NC.S.210.80.E3	2' 10"	A: 33-3/4"	B: 24-3/4"
NC.S.28.80.E3	2' 8"	A: 31-3/4"	B: 22-3/4"
NC.S.26.80.E3	2' 6"	A: 29-3/4"	B: 20-3/4"
NC.S.24.80.E3	2' 4"	A: 27-3/4"	B: 18-3/4"
NC.S.20.80.E3	2' 0"	A: 23-3/4"	B: 14-3/4"

Flush Glazed
Smooth Skin
Fiberglass SDLs



NOVA Classic - Equal 4H



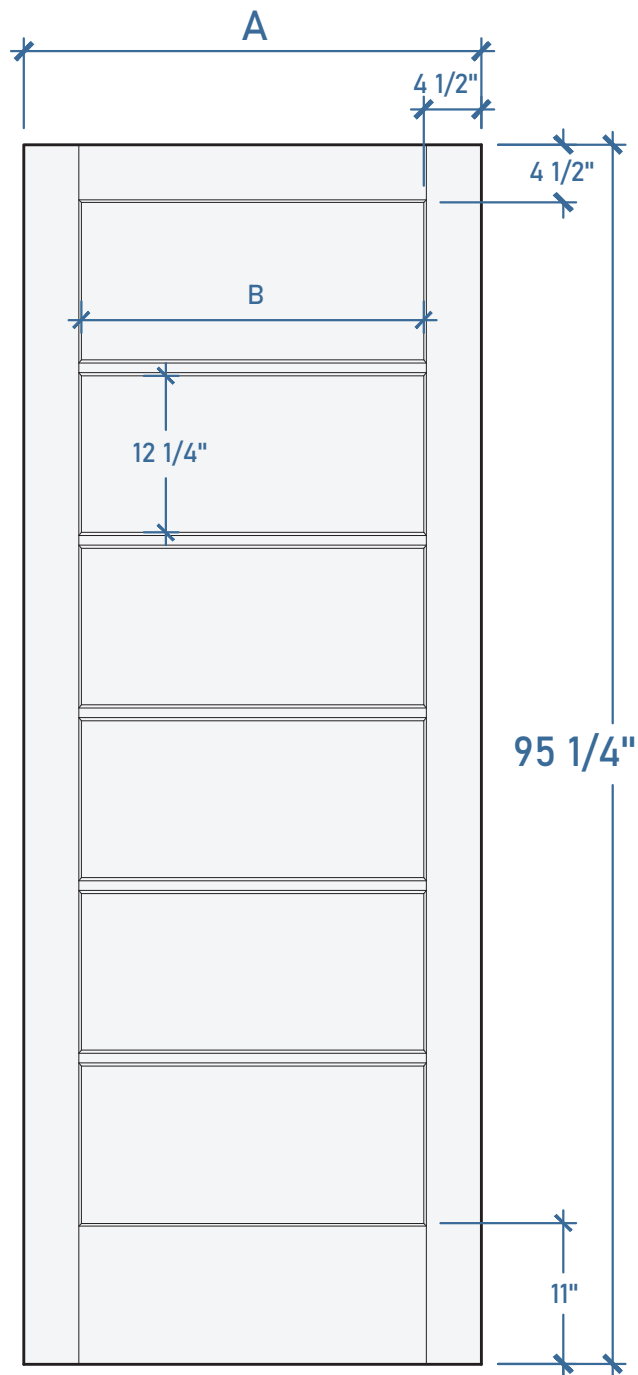
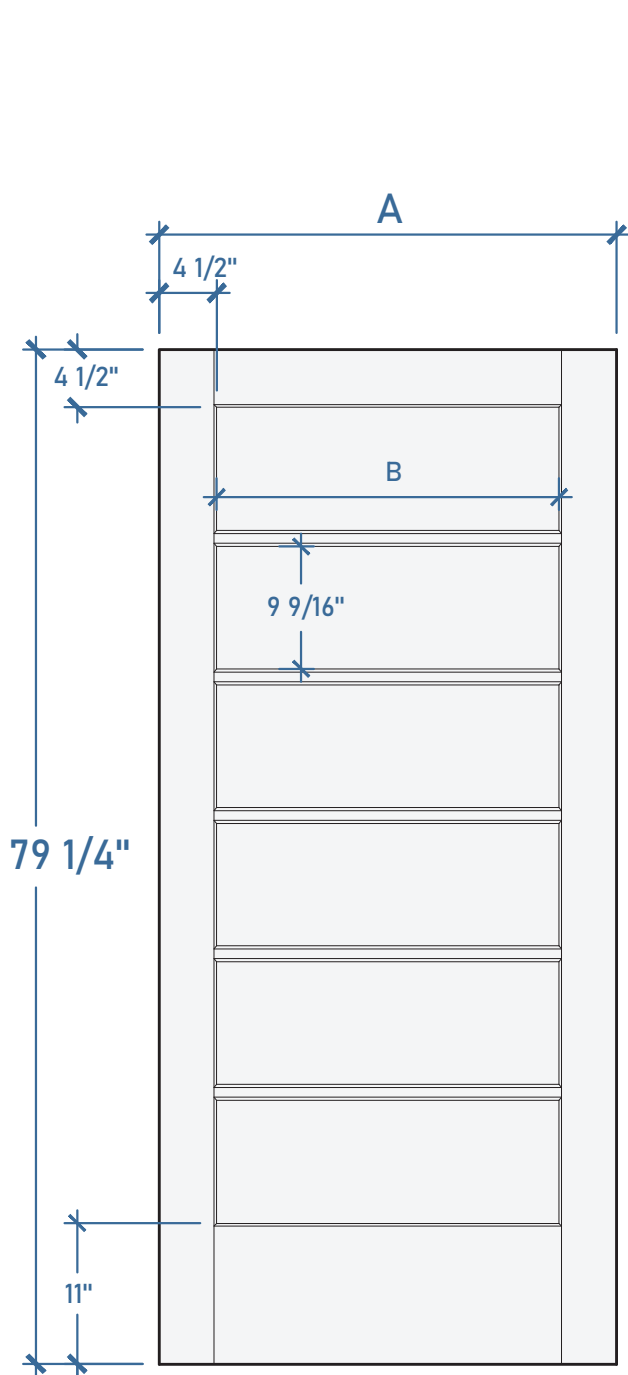
NC.S.30.68.E4	3' 0"	A: 35-3/4"	B: 26-3/4"
NC.S.210.68.E4	2' 10"	A: 33-3/4"	B: 24-3/4"
NC.S.28.68.E4	2' 8"	A: 31-3/4"	B: 22-3/4"
NC.S.26.68.E4	2' 6"	A: 29-3/4"	B: 20-3/4"
NC.S.24.68.E4	2' 4"	A: 27-3/4"	B: 18-3/4"
NC.S.20.68.E4	2' 0"	A: 23-3/4"	B: 14-3/4"

NC.S.30.80.E4	3' 0"	A: 35-3/4"	B: 26-3/4"
NC.S.210.80.E4	2' 10"	A: 33-3/4"	B: 24-3/4"
NC.S.28.80.E4	2' 8"	A: 31-3/4"	B: 22-3/4"
NC.S.26.80.E4	2' 6"	A: 29-3/4"	B: 20-3/4"
NC.S.24.80.E4	2' 4"	A: 27-3/4"	B: 18-3/4"
NC.S.20.80.E4	2' 0"	A: 23-3/4"	B: 14-3/4"

Flush Glazed
Smooth Skin
Fiberglass SDLs



NOVA Classic - Equal 5H



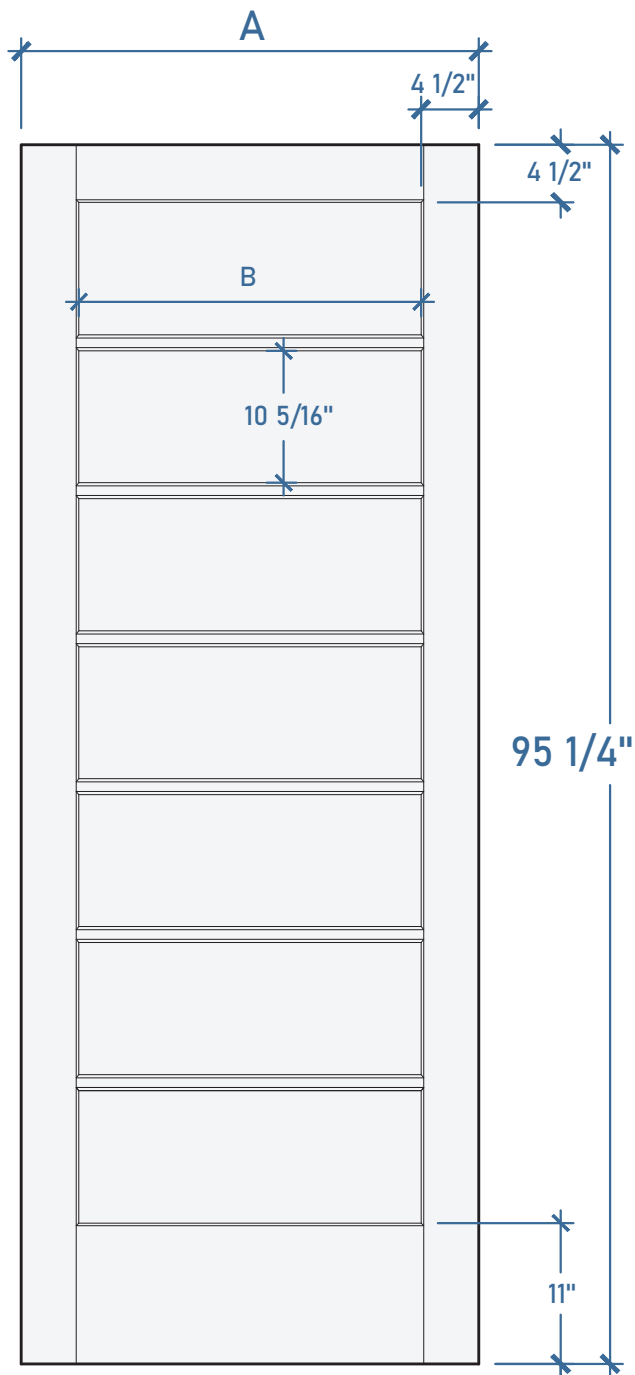
NC.S.30.68.E5	3' 0"	A: 35-3/4"	B: 26-3/4"
NC.S.210.68.E5	2' 10"	A: 33-3/4"	B: 24-3/4"
NC.S.28.68.E5	2' 8"	A: 31-3/4"	B: 22-3/4"
NC.S.26.68.E5	2' 6"	A: 29-3/4"	B: 20-3/4"
NC.S.24.68.E5	2' 4"	A: 27-3/4"	B: 18-3/4"
NC.S.20.68.E5	2' 0"	A: 23-3/4"	B: 14-3/4"

NC.S.30.80.E5	3' 0"	A: 35-3/4"	B: 26-3/4"
NC.S.210.80.E5	2' 10"	A: 33-3/4"	B: 24-3/4"
NC.S.28.80.E5	2' 8"	A: 31-3/4"	B: 22-3/4"
NC.S.26.80.E5	2' 6"	A: 29-3/4"	B: 20-3/4"
NC.S.24.80.E5	2' 4"	A: 27-3/4"	B: 18-3/4"
NC.S.20.80.E5	2' 0"	A: 23-3/4"	B: 14-3/4"

Flush Glazed
Smooth Skin
Fiberglass SDLs

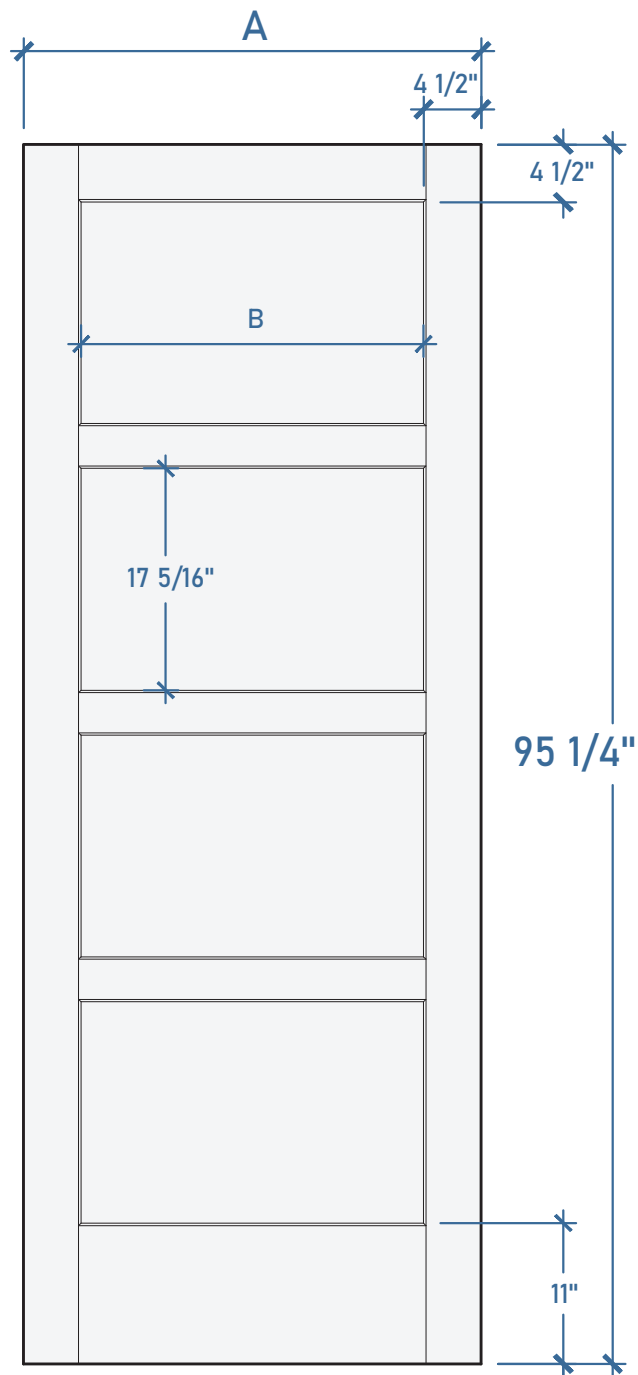
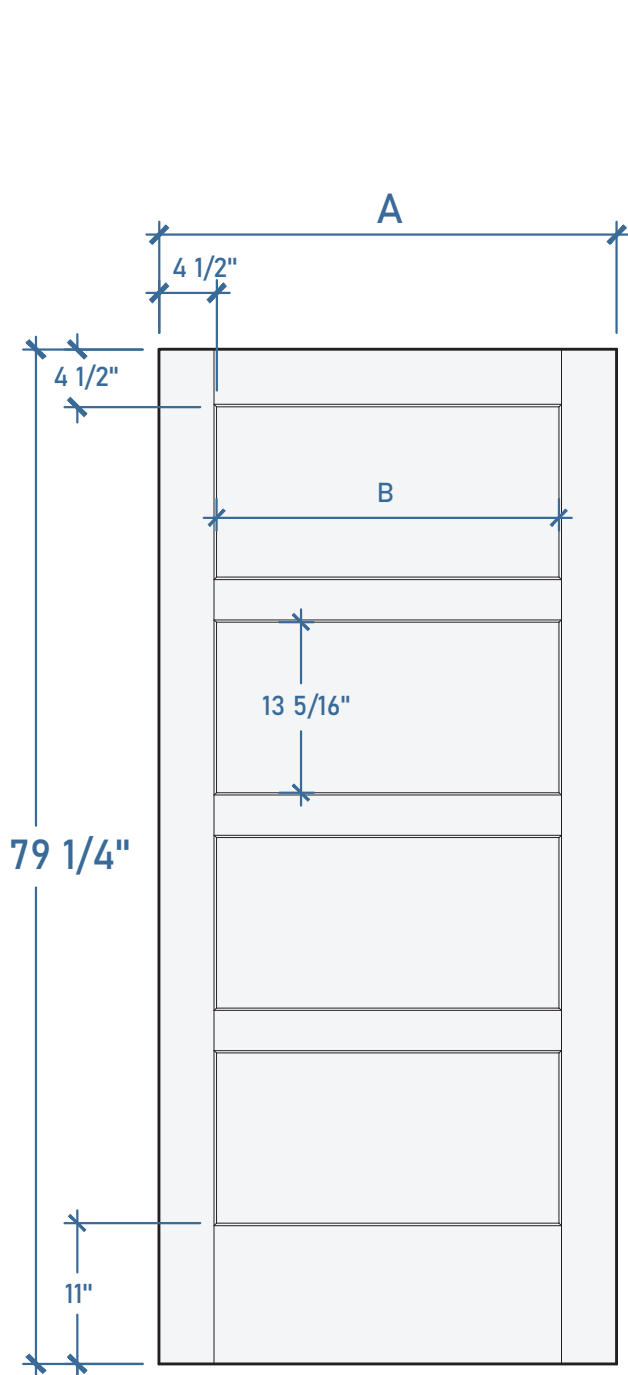


NOVA Classic - Equal 6H



NC.S.30.80.E6	3' 0"	A: 35-3/4"	B: 26-3/4"
NC.S.210.80.E6	2' 10"	A: 33-3/4"	B: 24-3/4"
NC.S.28.80.E6	2' 8"	A: 31-3/4"	B: 22-3/4"
NC.S.26.80.E6	2' 6"	A: 29-3/4"	B: 20-3/4"
NC.S.24.80.E6	2' 4"	A: 27-3/4"	B: 18-3/4"
NC.S.20.80.E6	2' 0"	A: 23-3/4"	B: 14-3/4"

NOVA Classic - Equal Wide 3H



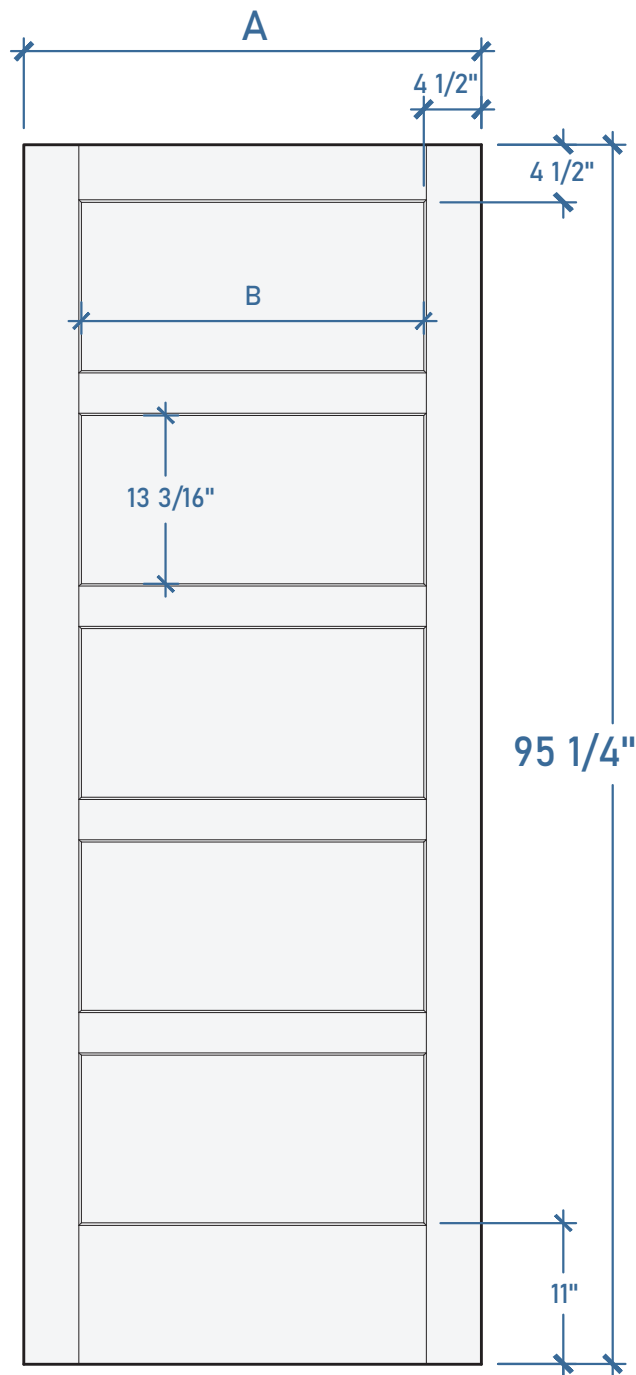
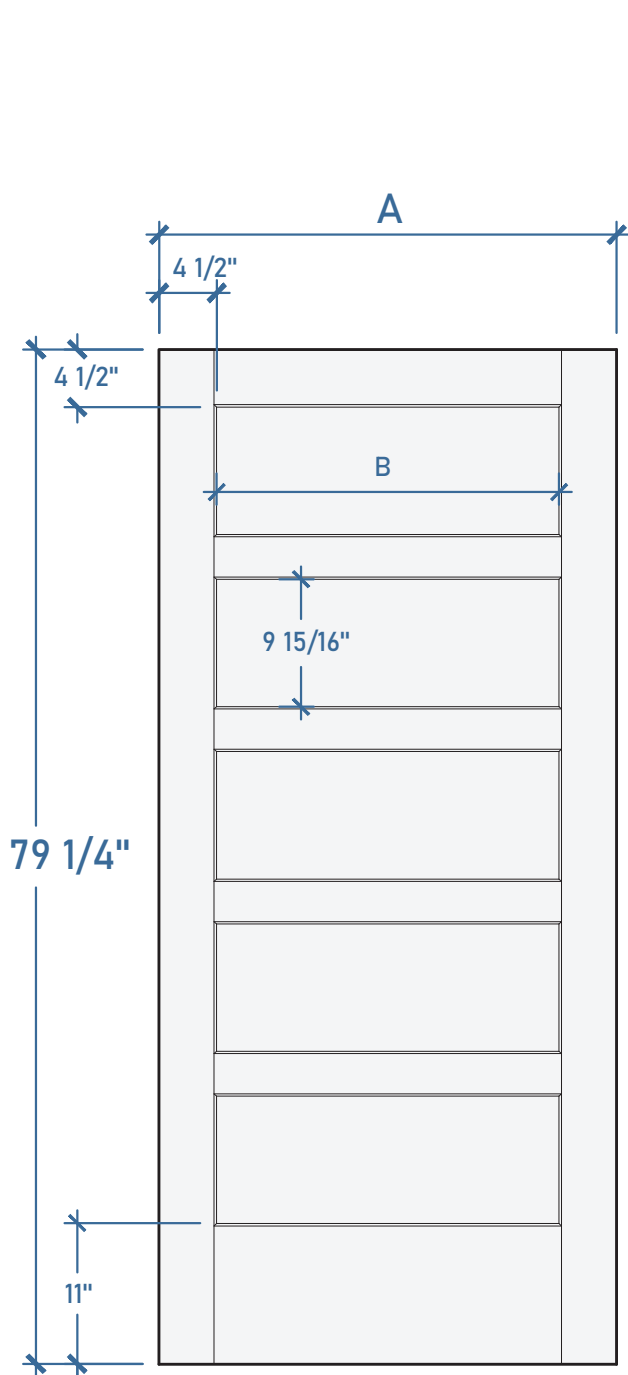
NC.S.30.68.E3W	3' 0"	A: 35-3/4"	B: 26-3/4"
NC.S.210.68.E3W	2' 10"	A: 33-3/4"	B: 24-3/4"
NC.S.28.68.E3W	2' 8"	A: 31-3/4"	B: 22-3/4"
NC.S.26.68.E3W	2' 6"	A: 29-3/4"	B: 20-3/4"
NC.S.24.68.E3W	2' 4"	A: 27-3/4"	B: 18-3/4"
NC.S.20.68.E3W	2' 0"	A: 23-3/4"	B: 14-3/4"

NC.S.30.80.E3W	3' 0"	A: 35-3/4"	B: 26-3/4"
NC.S.210.80.E3W	2' 10"	A: 33-3/4"	B: 24-3/4"
NC.S.28.80.E3W	2' 8"	A: 31-3/4"	B: 22-3/4"
NC.S.26.80.E3W	2' 6"	A: 29-3/4"	B: 20-3/4"
NC.S.24.80.E3W	2' 4"	A: 27-3/4"	B: 18-3/4"
NC.S.20.80.E3W	2' 0"	A: 23-3/4"	B: 14-3/4"

Flush Glazed
Smooth Skin
Fiberglass SDLs



NOVA Classic - Equal Wide 4H



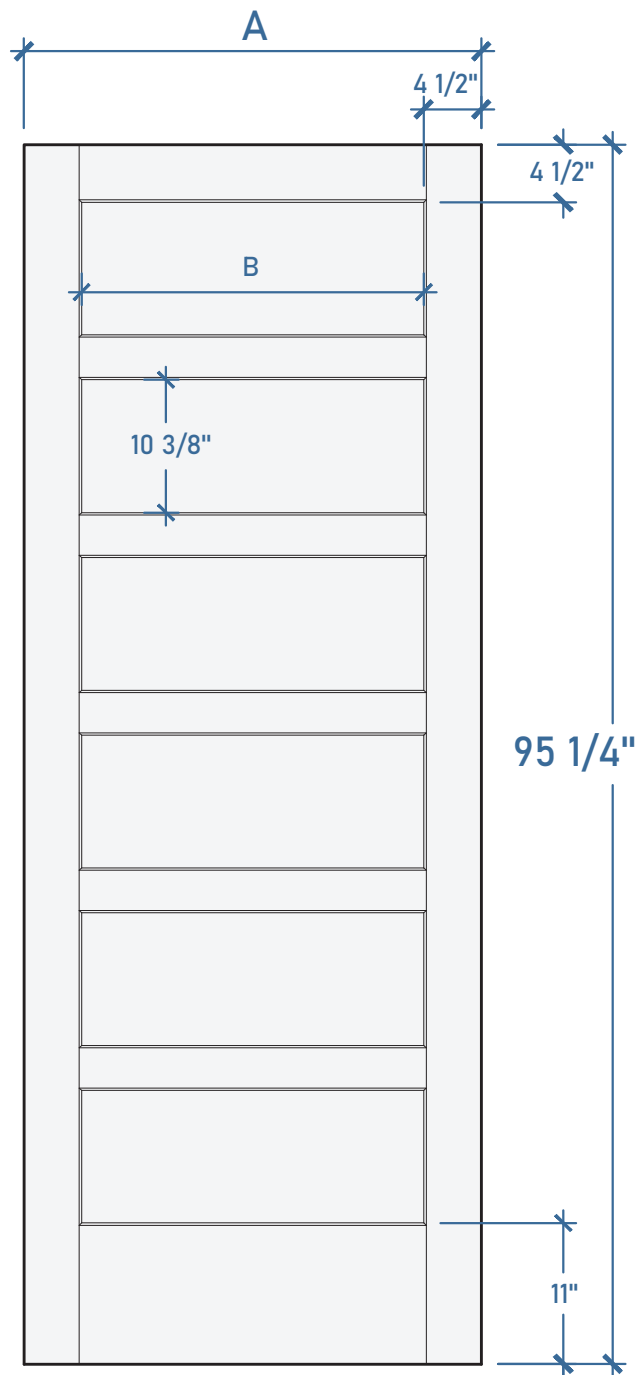
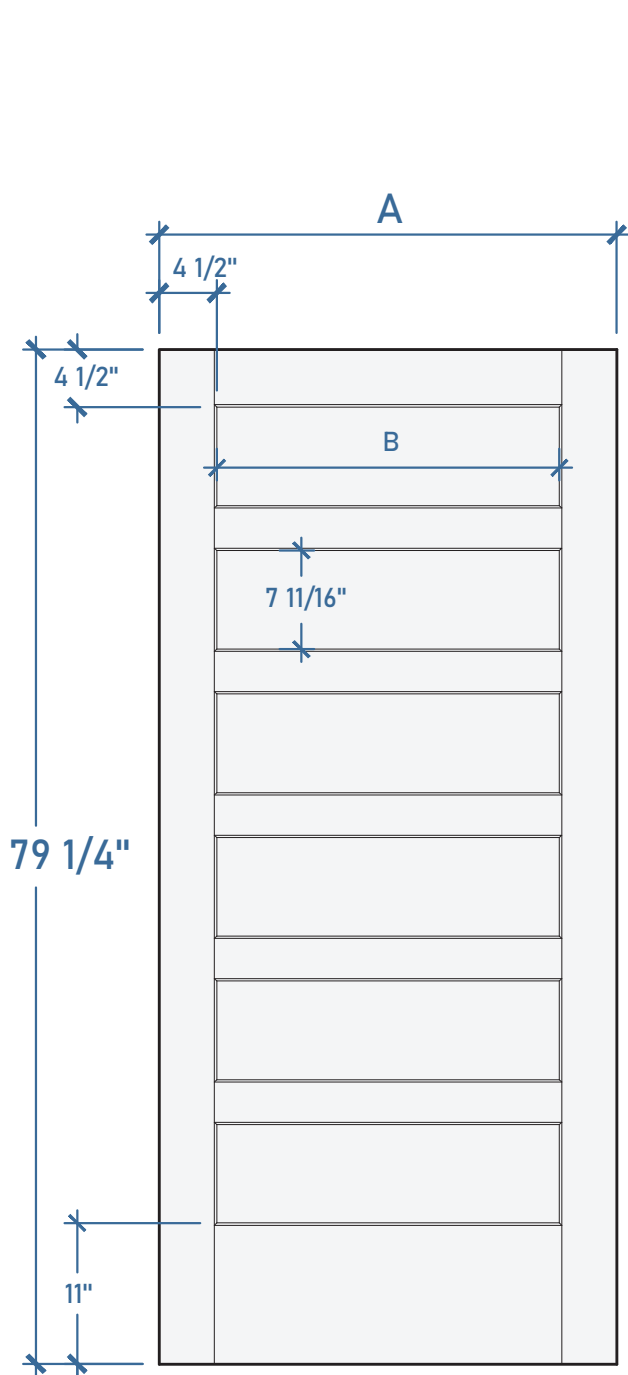
NC.S.30.68.E4W	3' 0"	A: 35-3/4"	B: 26-3/4"
NC.S.210.68.E4W	2' 10"	A: 33-3/4"	B: 24-3/4"
NC.S.28.68.E4W	2' 8"	A: 31-3/4"	B: 22-3/4"
NC.S.26.68.E4W	2' 6"	A: 29-3/4"	B: 20-3/4"
NC.S.24.68.E4W	2' 4"	A: 27-3/4"	B: 18-3/4"
NC.S.20.68.E4W	2' 0"	A: 23-3/4"	B: 14-3/4"

NC.S.30.80.E4W	3' 0"	A: 35-3/4"	B: 26-3/4"
NC.S.210.80.E4W	2' 10"	A: 33-3/4"	B: 24-3/4"
NC.S.28.80.E4W	2' 8"	A: 31-3/4"	B: 22-3/4"
NC.S.26.80.E4W	2' 6"	A: 29-3/4"	B: 20-3/4"
NC.S.24.80.E4W	2' 4"	A: 27-3/4"	B: 18-3/4"
NC.S.20.80.E4W	2' 0"	A: 23-3/4"	B: 14-3/4"

Flush Glazed
Smooth Skin
Fiberglass SDLs



NOVA Classic - Equal Wide 5H



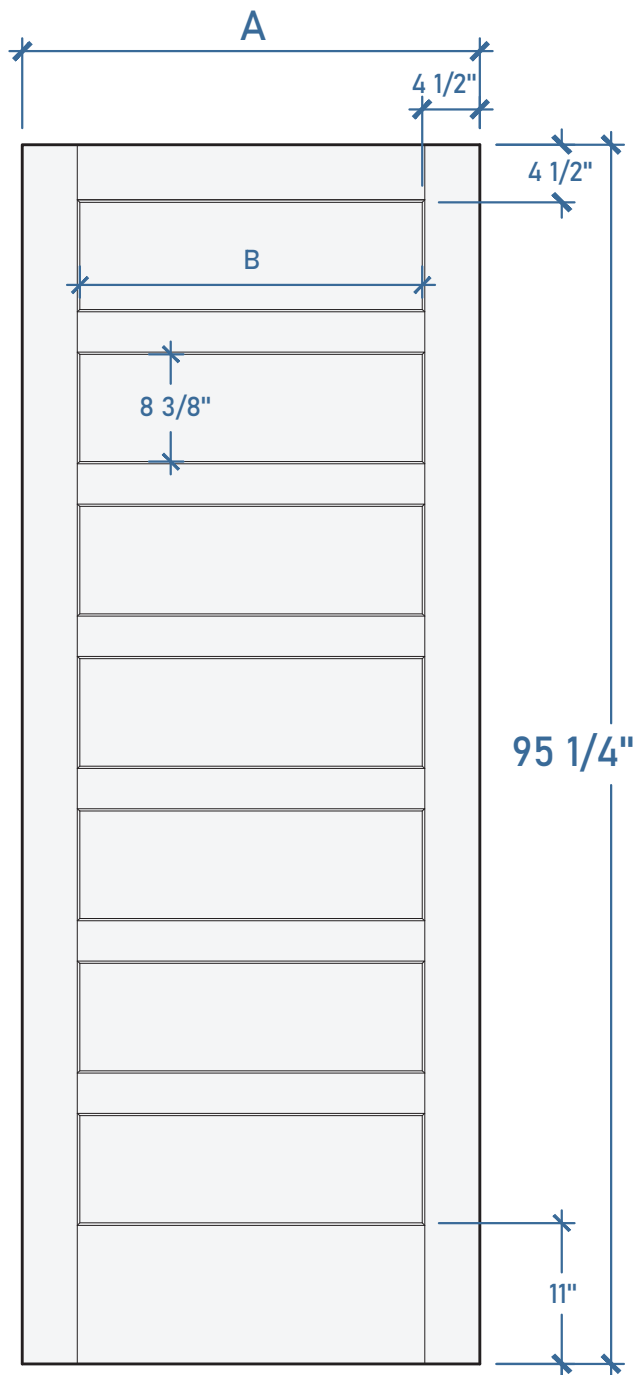
NC.S.30.68.E5W	3' 0"	A: 35-3/4"	B: 26-3/4"
NC.S.210.68.E5W	2' 10"	A: 33-3/4"	B: 24-3/4"
NC.S.28.68.E5W	2' 8"	A: 31-3/4"	B: 22-3/4"
NC.S.26.68.E5W	2' 6"	A: 29-3/4"	B: 20-3/4"
NC.S.24.68.E5W	2' 4"	A: 27-3/4"	B: 18-3/4"
NC.S.20.68.E5W	2' 0"	A: 23-3/4"	B: 14-3/4"

NC.S.30.80.E5W	3' 0"	A: 35-3/4"	B: 26-3/4"
NC.S.210.80.E5W	2' 10"	A: 33-3/4"	B: 24-3/4"
NC.S.28.80.E5W	2' 8"	A: 31-3/4"	B: 22-3/4"
NC.S.26.80.E5W	2' 6"	A: 29-3/4"	B: 20-3/4"
NC.S.24.80.E5W	2' 4"	A: 27-3/4"	B: 18-3/4"
NC.S.20.80.E5W	2' 0"	A: 23-3/4"	B: 14-3/4"

Flush Glazed
Smooth Skin
Fiberglass SDLs

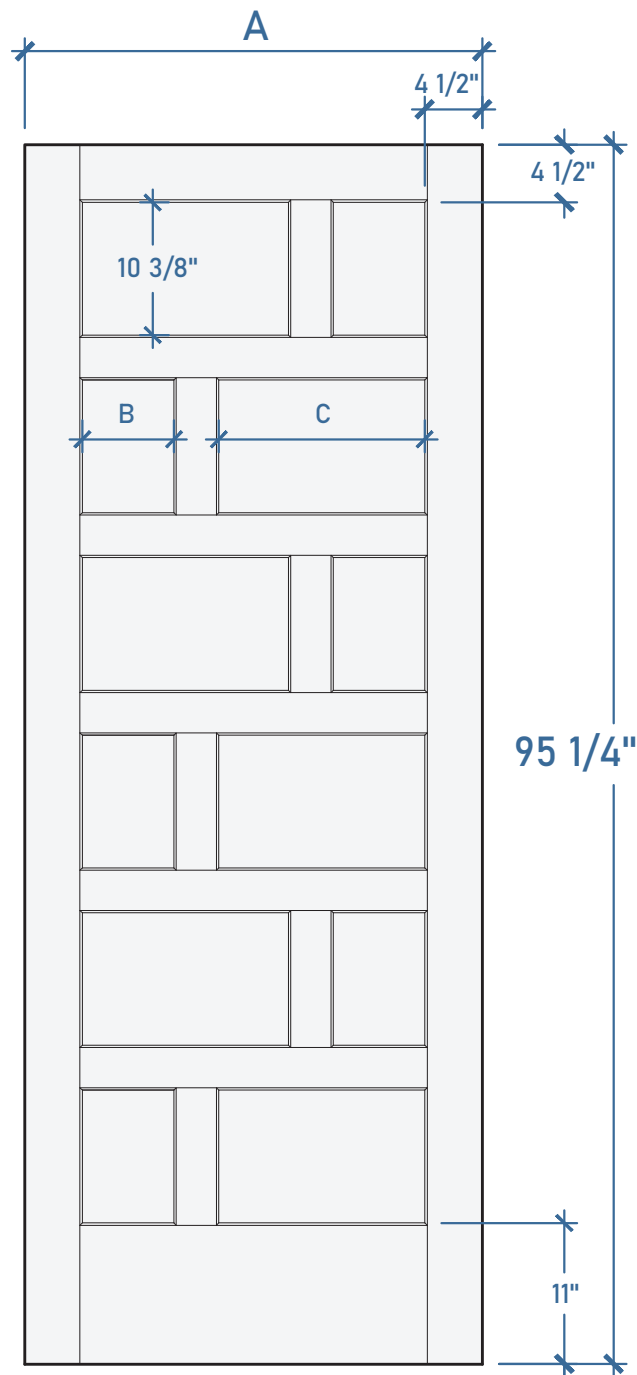
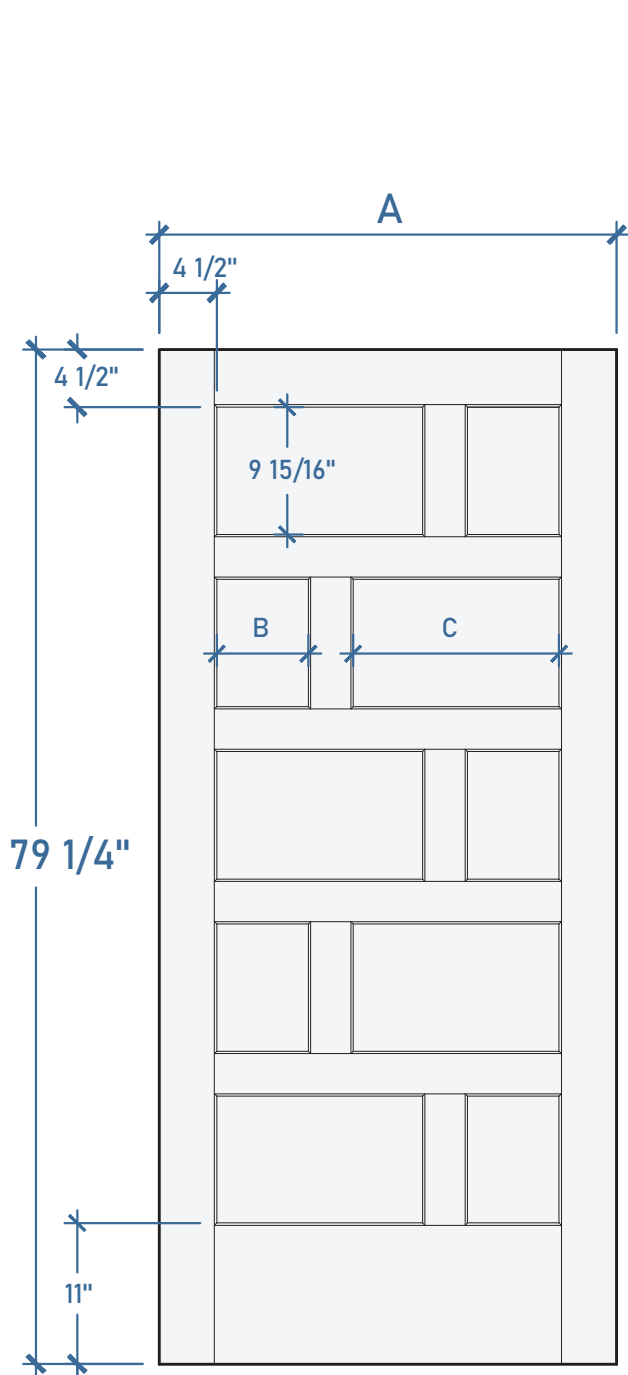


NOVA Classic - Equal Wide 6H



NC.S.30.80.E6W	3' 0"	A: 35-3/4"	B: 26-3/4"
NC.S.210.80.E6W	2' 10"	A: 33-3/4"	B: 24-3/4"
NC.S.28.80.E6W	2' 8"	A: 31-3/4"	B: 22-3/4"
NC.S.26.80.E6W	2' 6"	A: 29-3/4"	B: 20-3/4"
NC.S.24.80.E6W	2' 4"	A: 27-3/4"	B: 18-3/4"
NC.S.20.80.E6W	2' 0"	A: 23-3/4"	B: 14-3/4"

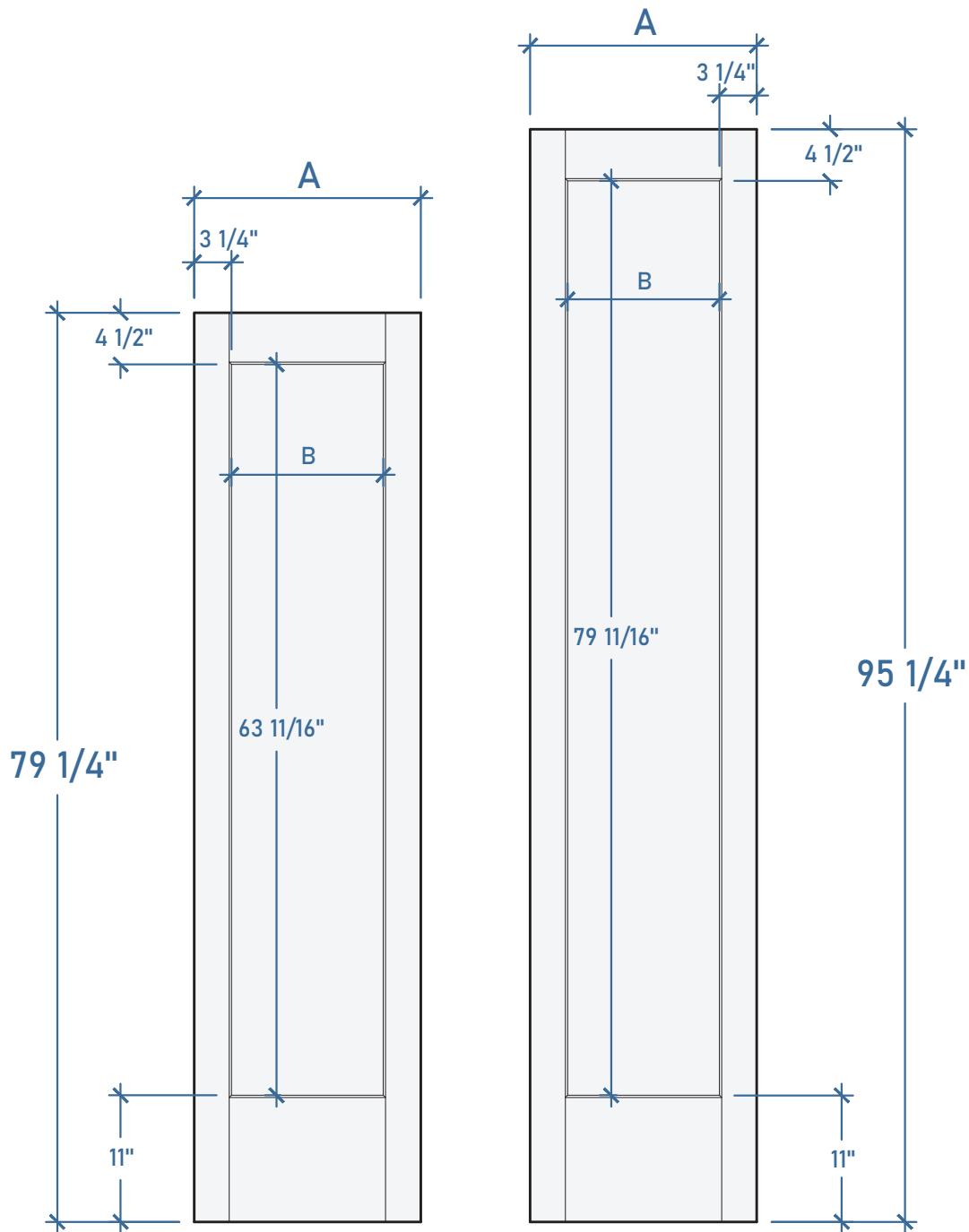
NOVA Classic - Origami



NC.S.30.68.0	3' 0"	A: 35-3/4"	B: 7-3/16"	C: 16-1/16"
NC.S.210.68.0	2' 10"	A: 33-3/4"	B: 6-3/16"	C: 15-1/8"
NC.S.28.68.0	2' 8"	A: 31-3/4"	B: 5-3/16"	C: 14-1/8"
NC.S.26.68.0	2' 6"	A: 29-3/4"	B: 4-3/16"	C: 13-1/8"
NC.S.24.68.0	2' 4"	A: 27-3/4"	B: 3-3/16"	C: 12-1/8"
NC.S.20.68.0	2' 0"	A: 23-3/4"	B: 1-3/16"	C: 10-1/8"

NC.S.30.80.0	3' 0"	A: 35-3/4"	B: 7-3/16"	C: 16-1/16"
NC.S.210.80.0	2' 10"	A: 33-3/4"	B: 6-3/16"	C: 15-1/8"
NC.S.28.80.0	2' 8"	A: 31-3/4"	B: 5-3/16"	C: 14-1/8"
NC.S.26.80.0	2' 6"	A: 29-3/4"	B: 4-3/16"	C: 13-1/8"
NC.S.24.80.0	2' 4"	A: 27-3/4"	B: 3-3/16"	C: 12-1/8"
NC.S.20.80.0	2' 0"	A: 23-3/4"	B: 1-3/16"	C: 10-1/8"

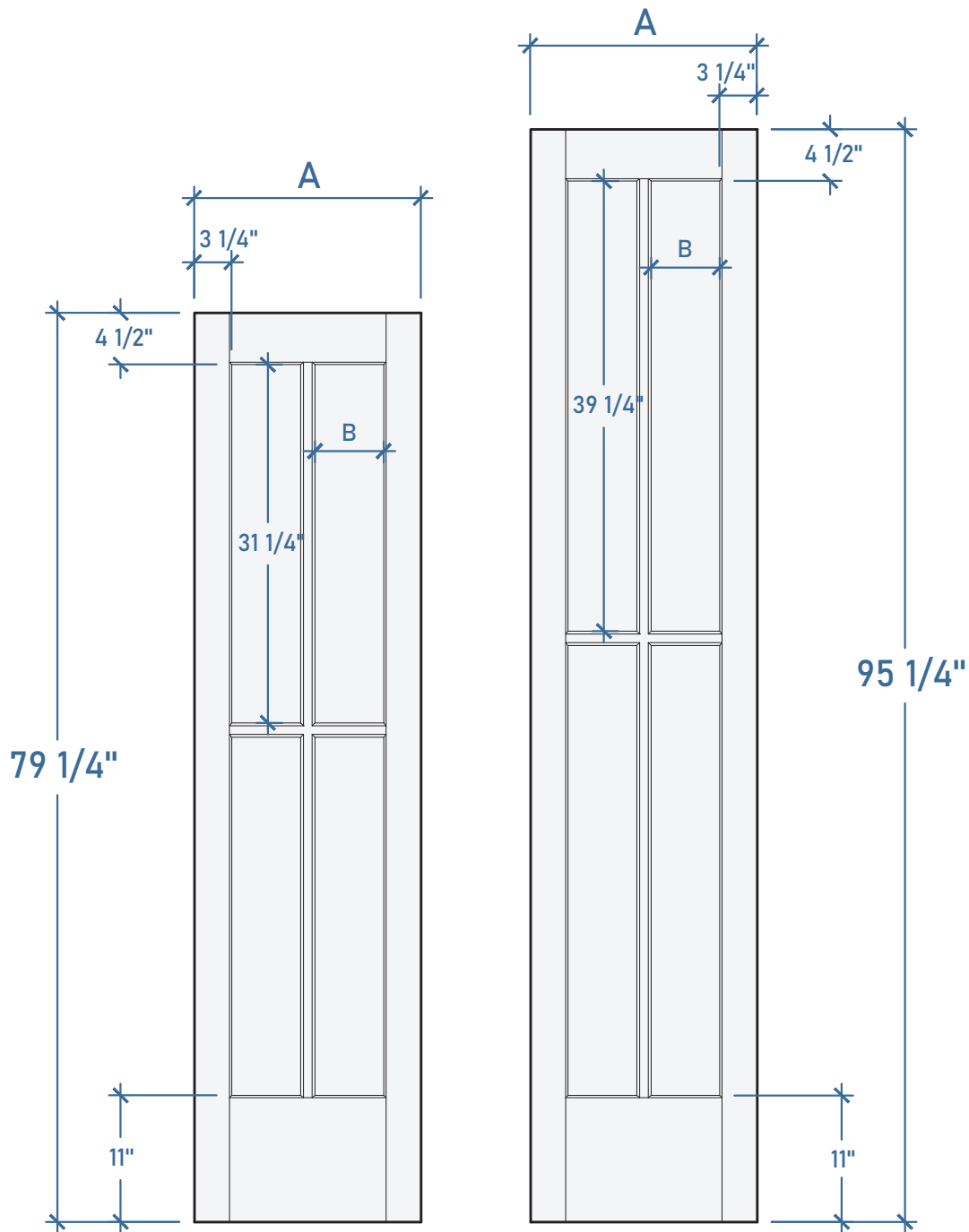
NOVA Classic Sidelite - Clear



NC.S.20.68.CLR	2' 0"	A: 19-3/4"	B: 13-1/4"	
NC.S.12.68.CLR	1' 2"	A: 13-3/4"	B: 7-1/4"	
NC.S.10.68.CLR	1' 0"	A: 11-3/4"	B: 5-1/4"	

NC.S.20.80.CLR	2' 0"	A: 19-3/4"	B: 13-1/4"	
NC.S.12.80.CLR	1' 2"	A: 13-3/4"	B: 7-1/4"	
NC.S.10.80.CLR	1' 0"	A: 11-3/4"	B: 5-1/4"	

NOVA Classic Sidelite - Colonial 1V1H



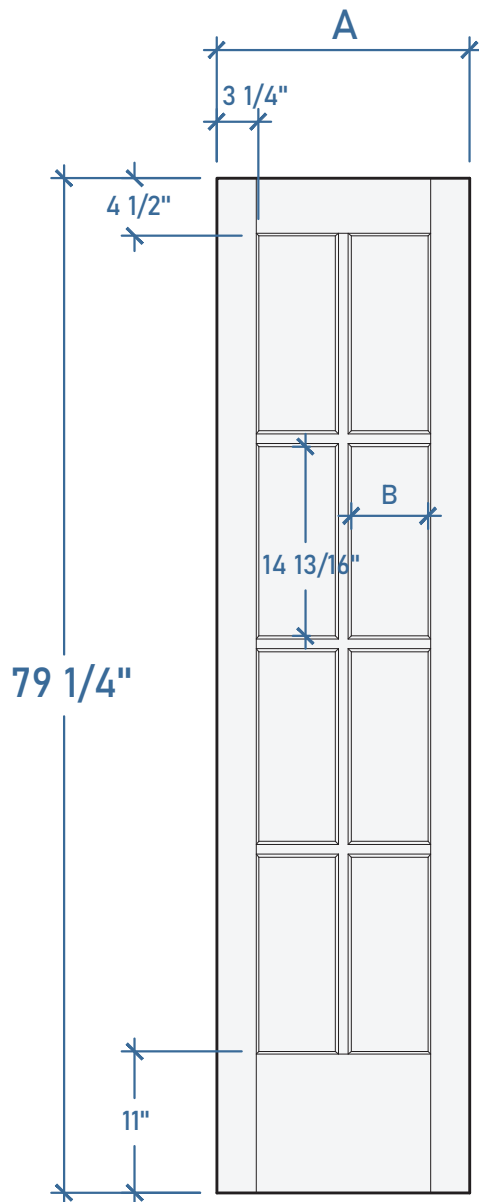
NC.S.20.68.C1V1H	2' 0"	A: 19-3/4"	B: 6"	
NC.S.12.68.C1V1H	1' 2"	A: 13-3/4"	B: 3"	
NC.S.10.68.C1V1H	1' 0"	A: 11-3/4"	B: 2"	

NC.S.20.80.C1V1H	2' 0"	A: 19-3/4"	B: 6"	
NC.S.12.80.C1V1H	1' 2"	A: 13-3/4"	B: 3"	
NC.S.10.80.C1V1H	1' 0"	A: 11-3/4"	B: 2"	

Flush Glazed
Smooth Skin
Fiberglass SDLs

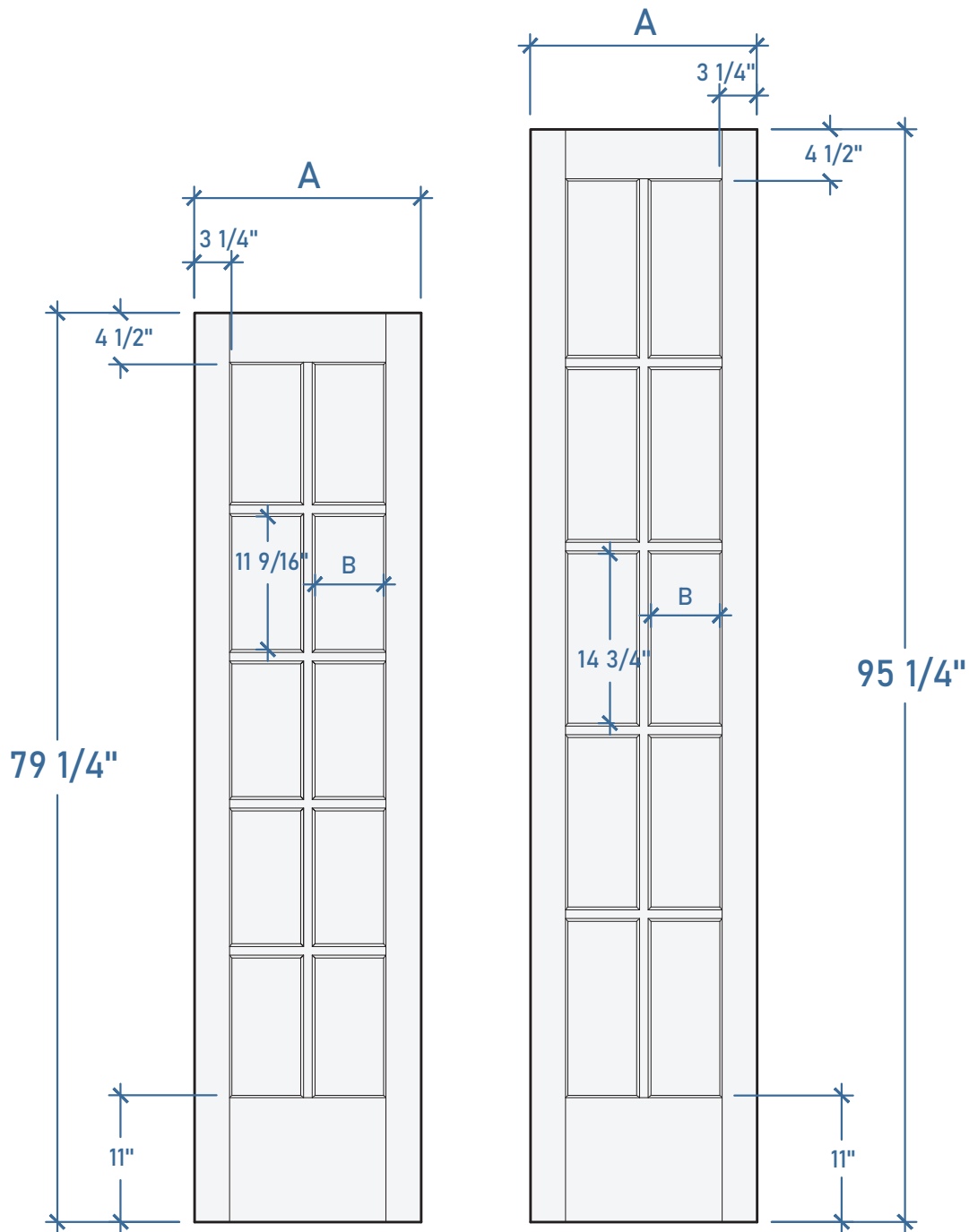


NOVA Classic Sidelite - Colonial 1V3H



NC.S.20.68.CIV3H	2' 0"	A: 19-3/4"	B: 6"	
NC.S.12.68.CIV3H	1' 2"	A: 13-3/4"	B: 3"	
NC.S.10.68.CIV3H	1' 0"	A: 11-3/4"	B: 2"	

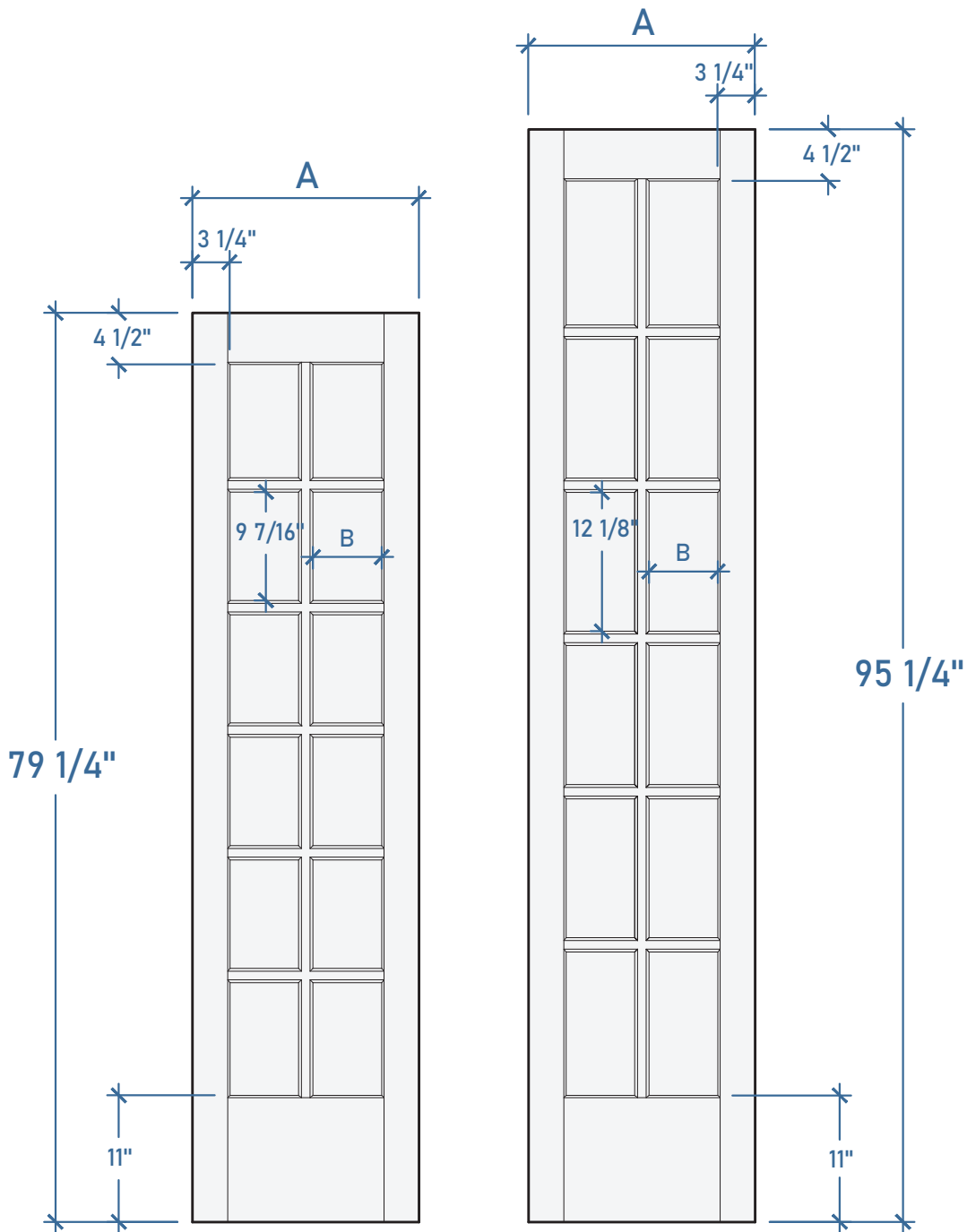
NOVA Classic Sidelite - Colonial 1V4H



NC.S.20.68.CIV4H	2' 0"	A: 19-3/4"	B: 6"	
NC.S.12.68.CIV4H	1' 2"	A: 13-3/4"	B: 3"	
NC.S.10.68.CIV4H	1' 0"	A: 11-3/4"	B: 2"	

NC.S.20.80.CIV4H	2' 0"	A: 19-3/4"	B: 6"	
NC.S.12.80.CIV4H	1' 2"	A: 13-3/4"	B: 3"	
NC.S.10.80.CIV4H	1' 0"	A: 11-3/4"	B: 2"	

NOVA Classic Sidelite - Colonial 1V5H



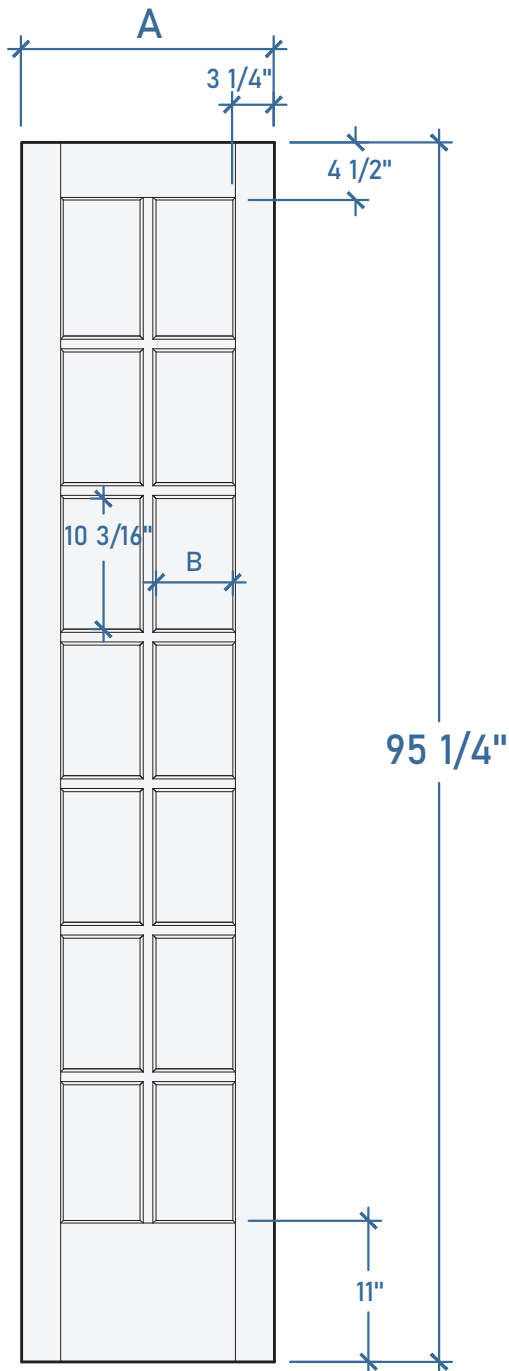
NC.S.20.68.CIV5H	2' 0"	A: 19-3/4"	B: 6"	
NC.S.12.68.CIV5H	1' 2"	A: 13-3/4"	B: 3"	
NC.S.10.68.CIV5H	1' 0"	A: 11-3/4"	B: 2"	

NC.S.20.80.CIV5H	2' 0"	A: 19-3/4"	B: 6"	
NC.S.12.80.CIV5H	1' 2"	A: 13-3/4"	B: 3"	
NC.S.10.80.CIV5H	1' 0"	A: 11-3/4"	B: 2"	

Flush Glazed
Smooth Skin
Fiberglass SDLs

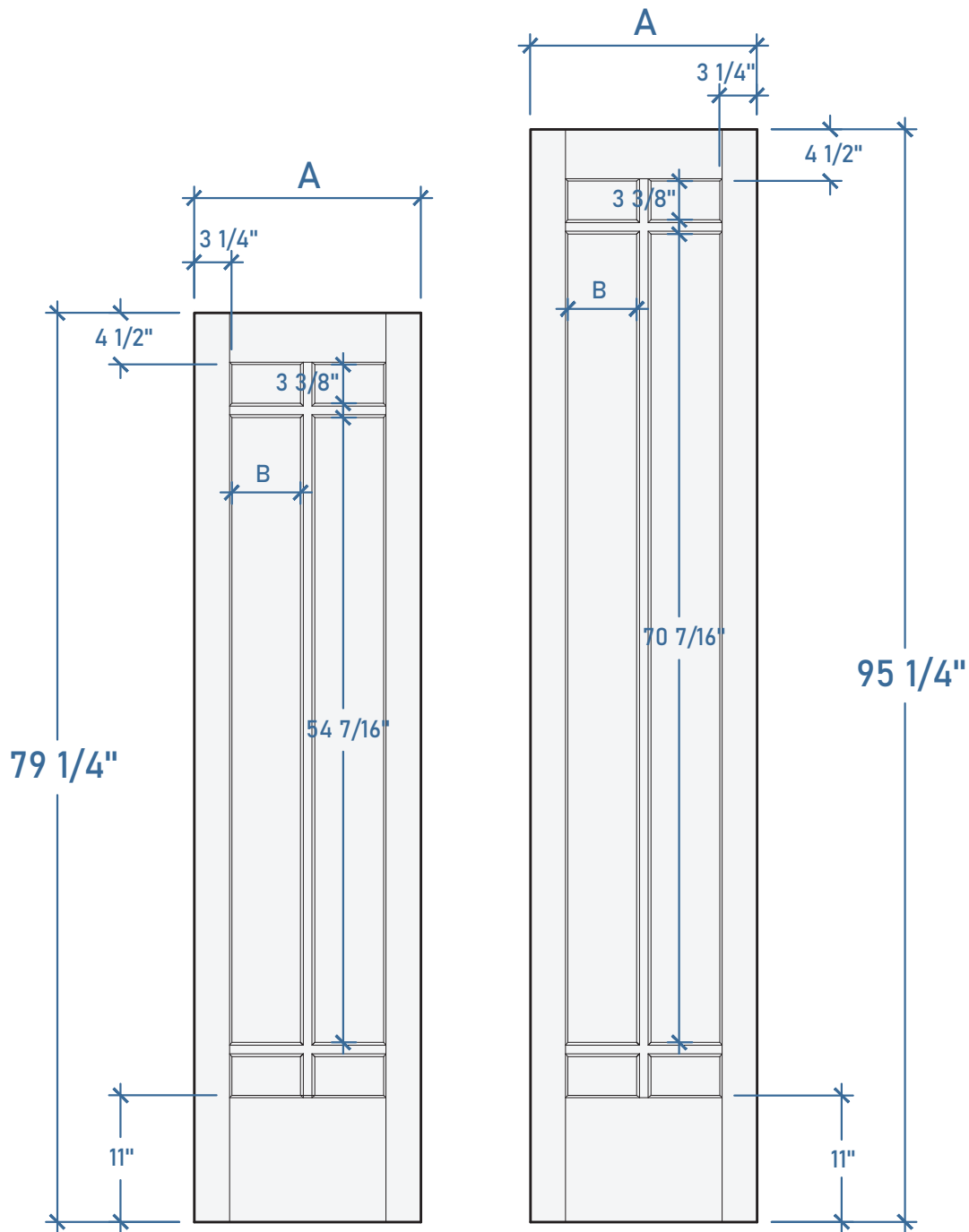


NOVA Classic Sidelite - Colonial 1V6H



NC.S.20.80.CIV6H	2' 0"	A: 19-3/4"	B: 6"	
NC.S.12.80.CIV6H	1' 2"	A: 13-3/4"	B: 3"	
NC.S.10.80.CIV6H	1' 0"	A: 11-3/4"	B: 2"	

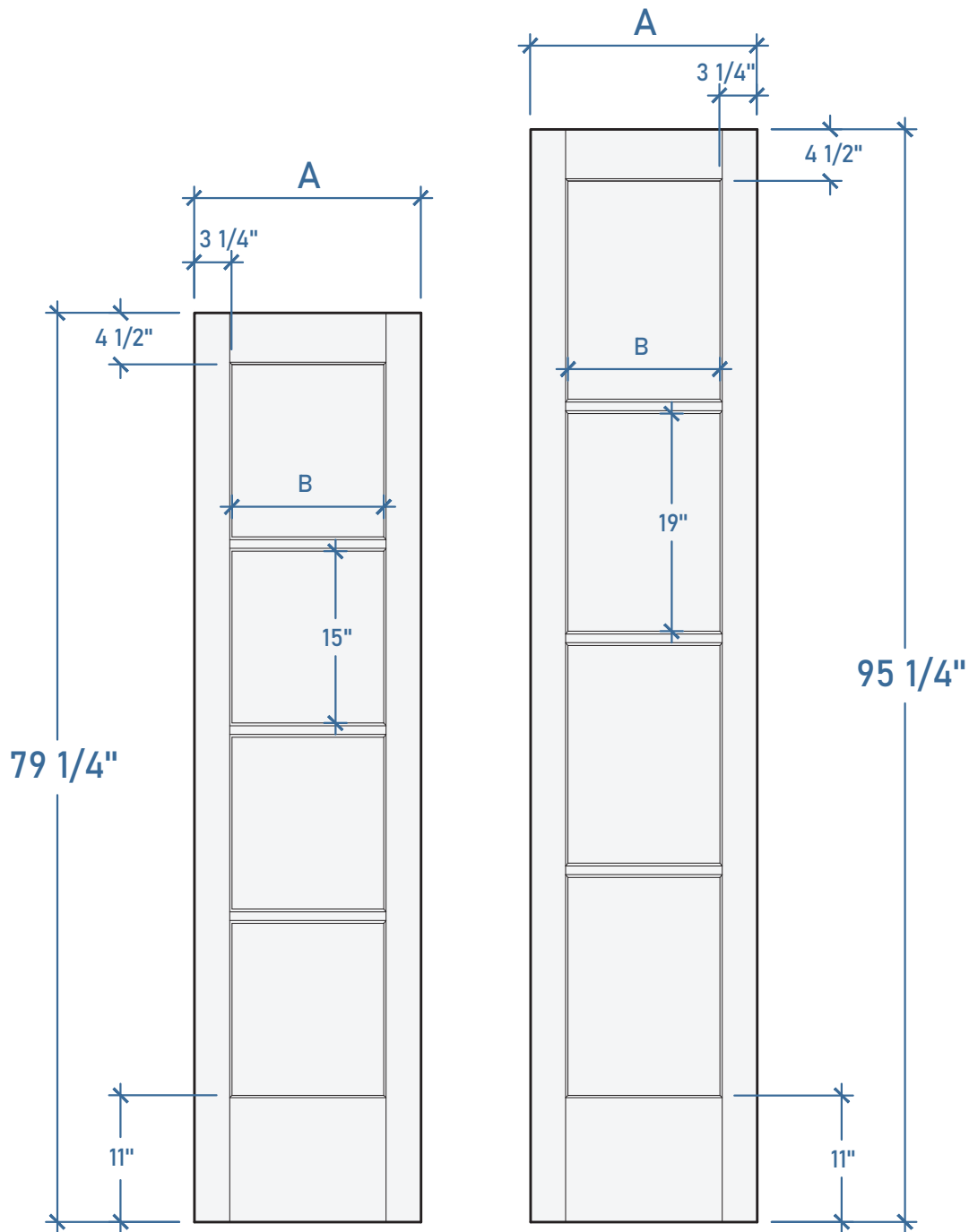
NOVA Classic Sidelite - Prairie



NC.S.20.68.PRA	2' 0"	A: 19-3/4"	B: 6"	
NC.S.12.68.PRA	1' 2"	A: 13-3/4"	B: 3"	
NC.S.10.68.PRA	1' 0"	A: 11-3/4"	B: 2"	

NC.S.20.80.PRA	2' 0"	A: 19-3/4"	B: 6"	
NC.S.12.80.PRA	1' 2"	A: 13-3/4"	B: 3"	
NC.S.10.80.PRA	1' 0"	A: 11-3/4"	B: 2"	

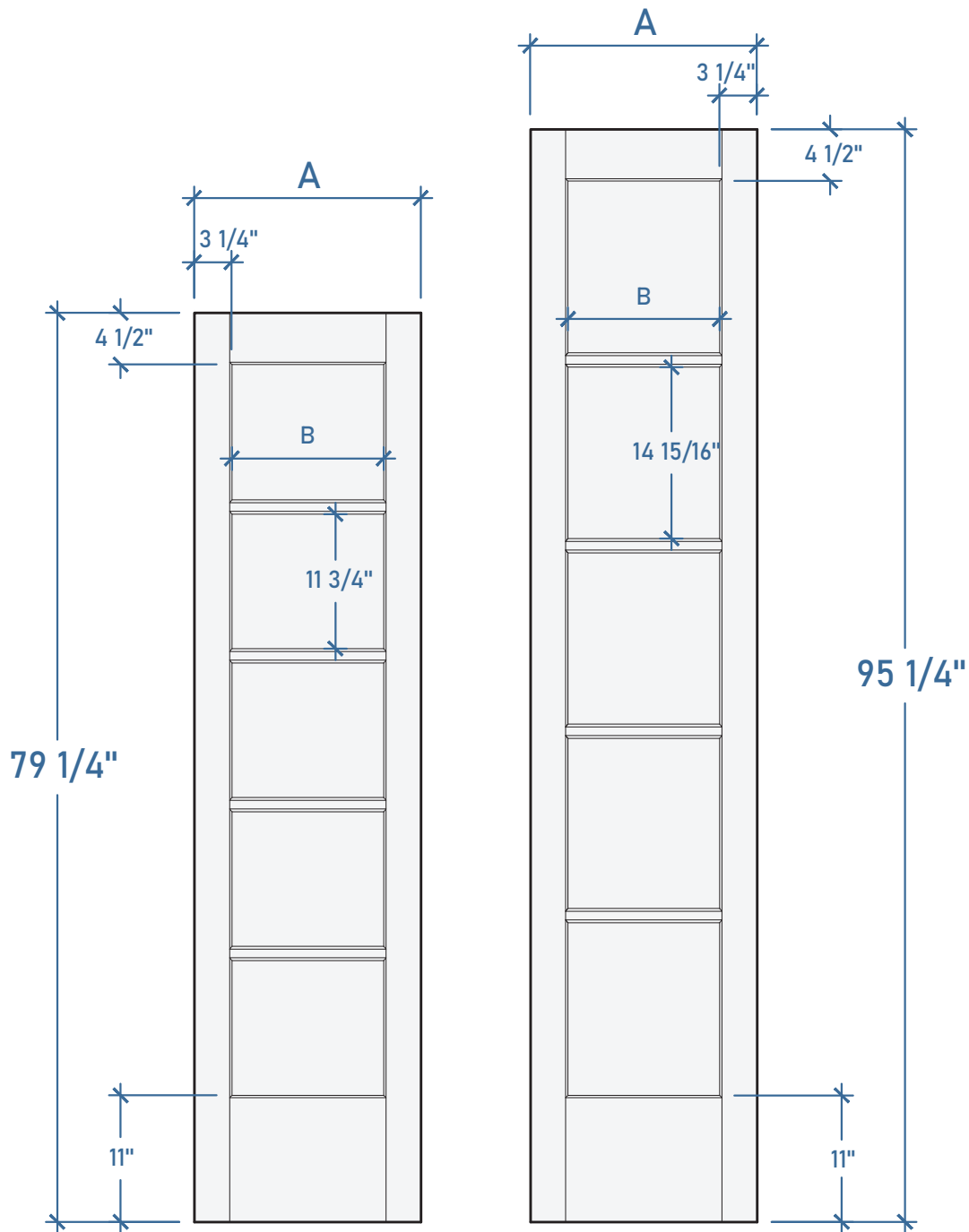
NOVA Classic Sidelite - Equal 3H



NC.S.20.68.E3	2' 0"	A: 19-3/4"	B: 13-1/4"	
NC.S.12.68.E3	1' 2"	A: 13-3/4"	B: 7-1/4"	
NC.S.10.68.E3	1' 0"	A: 11-3/4"	B: 5-1/4"	

NC.S.20.80.E3	2' 0"	A: 19-3/4"	B: 13-1/4"	
NC.S.12.80.E3	1' 2"	A: 13-3/4"	B: 7-1/4"	
NC.S.10.80.E3	1' 0"	A: 11-3/4"	B: 5-1/4"	

NOVA Classic Sidelite - Equal 4H



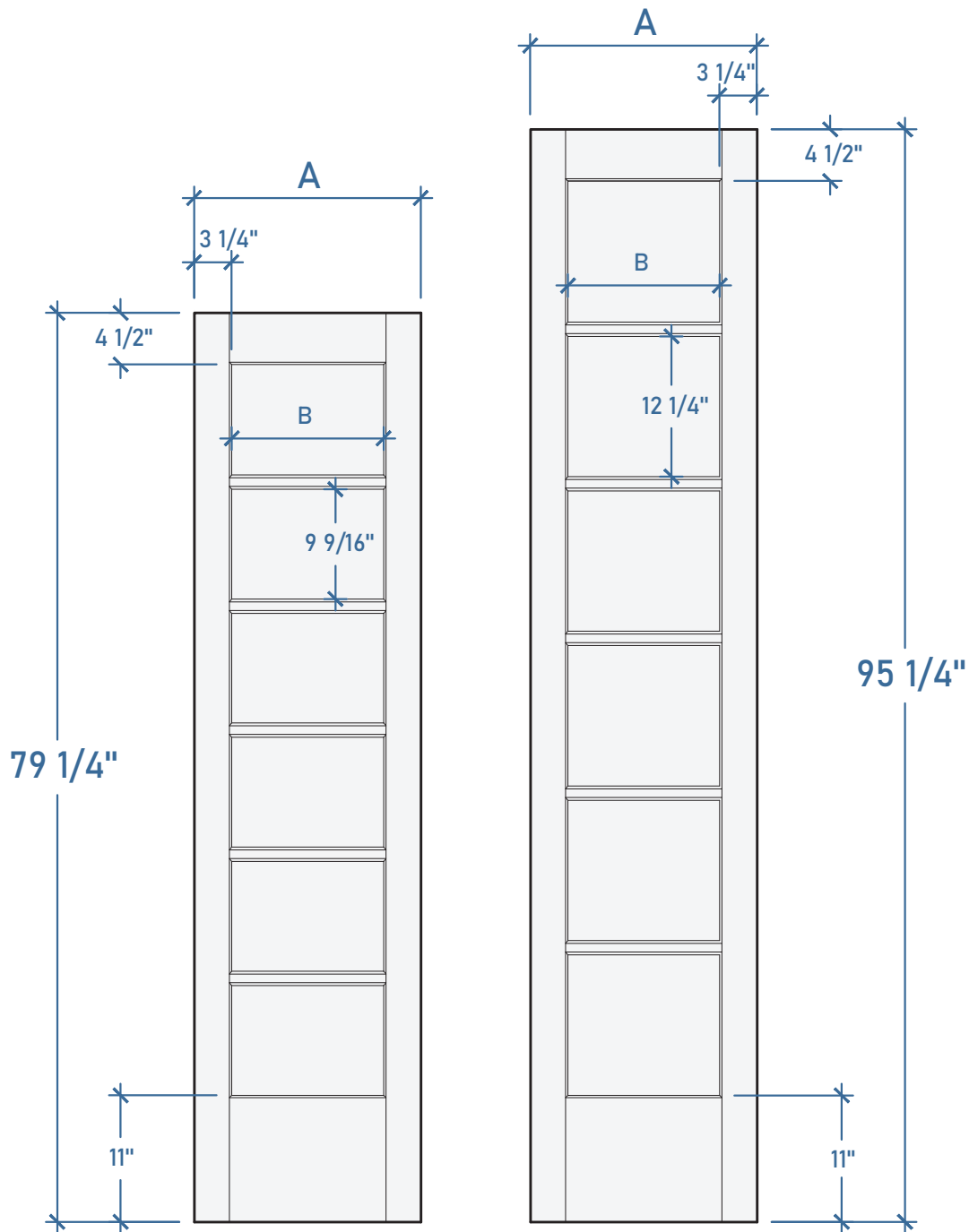
NC.S.20.68.E4	2' 0"	A: 19-3/4"	B: 13-1/4"	
NC.S.12.68.E4	1' 2"	A: 13-3/4"	B: 7-1/4"	
NC.S.10.68.E4	1' 0"	A: 11-3/4"	B: 5-1/4"	

NC.S.20.80.E4	2' 0"	A: 19-3/4"	B: 13-1/4"	
NC.S.12.80.E4	1' 2"	A: 13-3/4"	B: 7-1/4"	
NC.S.10.80.E4	1' 0"	A: 11-3/4"	B: 5-1/4"	

Flush Glazed
Smooth Skin
Fiberglass SDLs



NOVA Classic Sidelite - Equal 5H



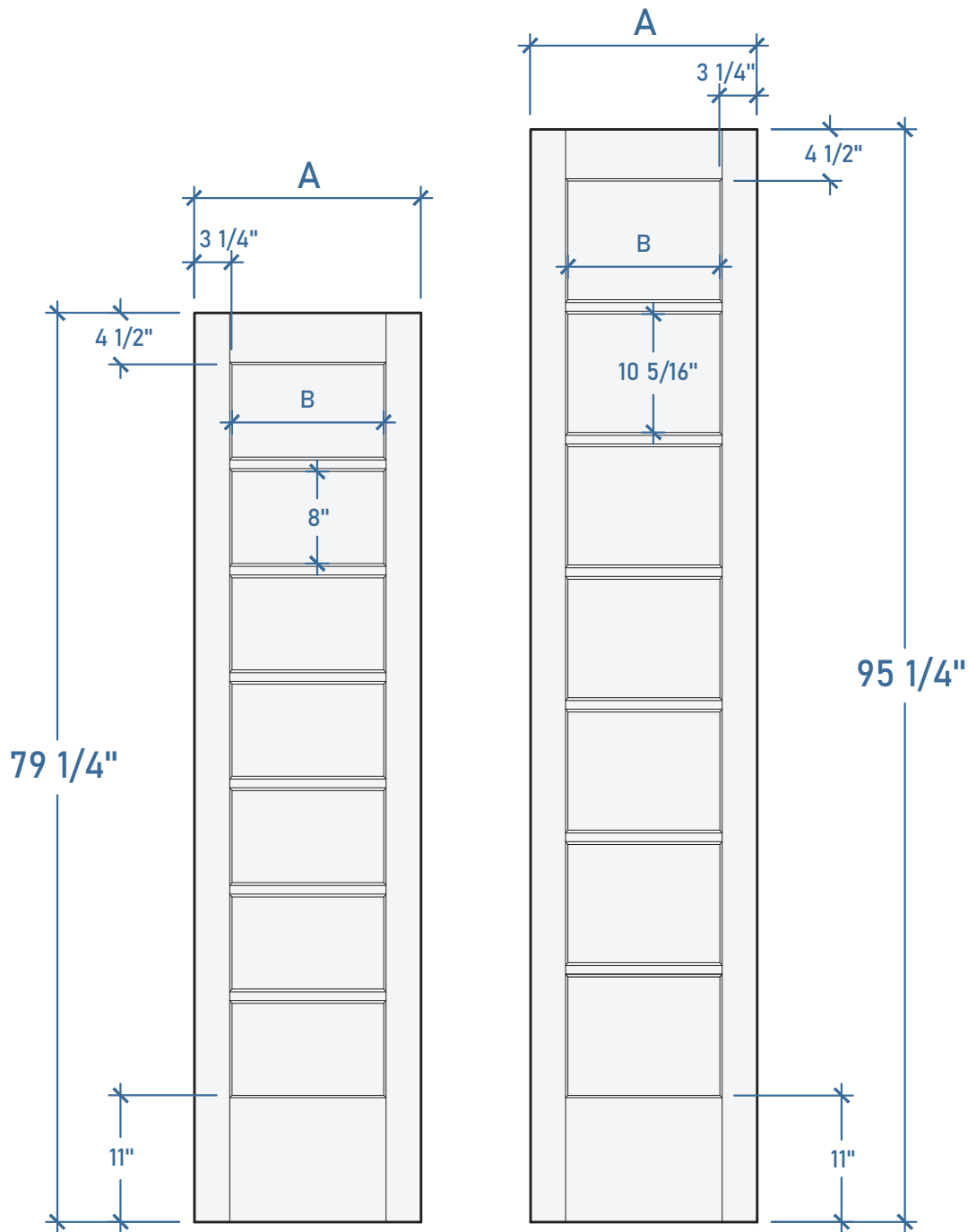
NC.S.20.68.E5	2' 0"	A: 19-3/4"	B: 13-1/4"	
NC.S.12.68.E5	1' 2"	A: 13-3/4"	B: 7-1/4"	
NC.S.10.68.E5	1' 0"	A: 11-3/4"	B: 5-1/4"	

NC.S.20.80.E5	2' 0"	A: 19-3/4"	B: 13-1/4"	
NC.S.12.80.E5	1' 2"	A: 13-3/4"	B: 7-1/4"	
NC.S.10.80.E5	1' 0"	A: 11-3/4"	B: 5-1/4"	

Flush Glazed
Smooth Skin
Fiberglass SDLs



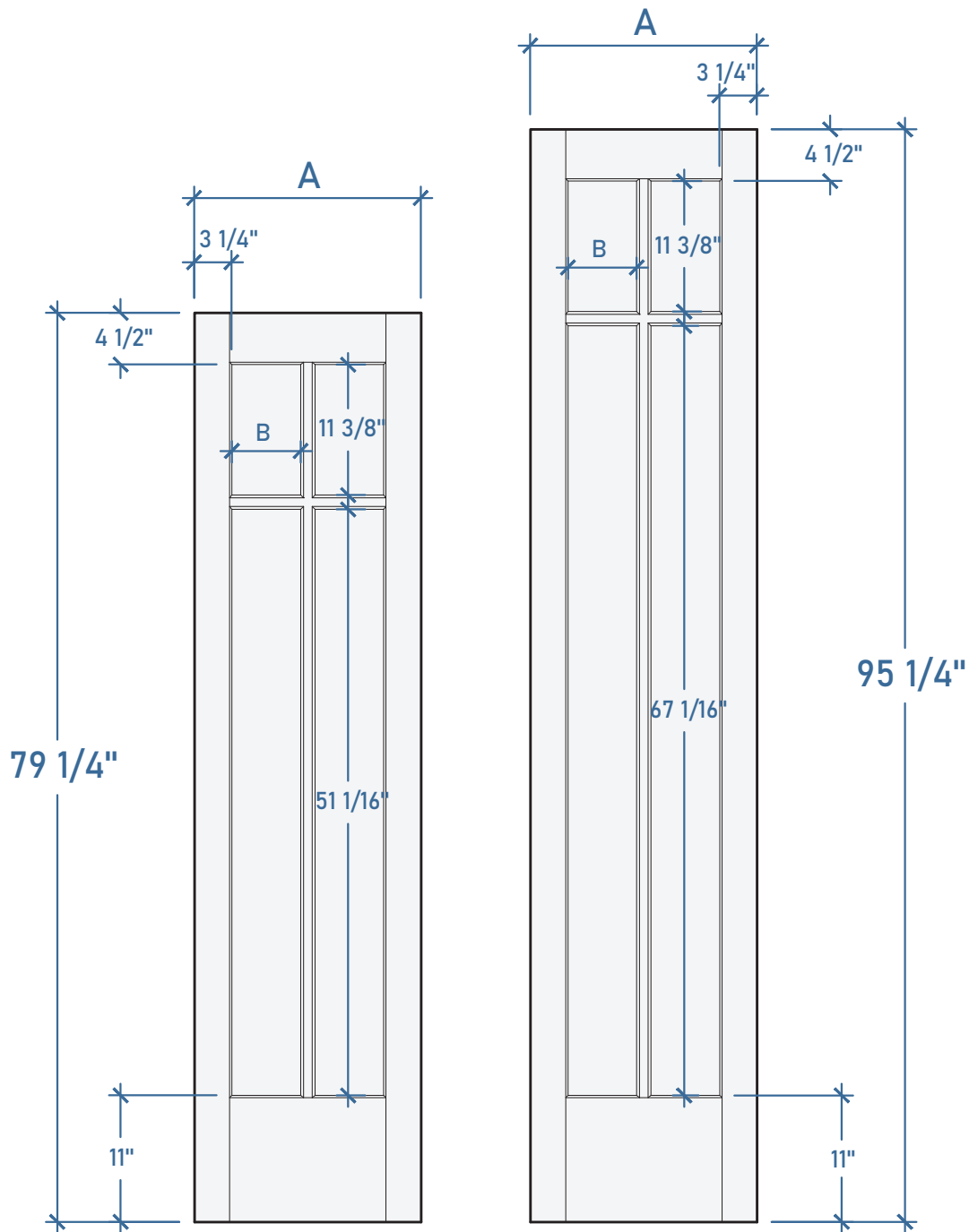
NOVA Classic Sidelite - Equal 6H



NC.S.20.68.E5	2' 0"	A: 19-3/4"	B: 13-1/4"	
NC.S.12.68.E5	1' 2"	A: 13-3/4"	B: 7-1/4"	
NC.S.10.68.E5	1' 0"	A: 11-3/4"	B: 5-1/4"	

NC.S.20.80.E5	2' 0"	A: 19-3/4"	B: 13-1/4"	
NC.S.12.80.E5	1' 2"	A: 13-3/4"	B: 7-1/4"	
NC.S.10.80.E5	1' 0"	A: 11-3/4"	B: 5-1/4"	

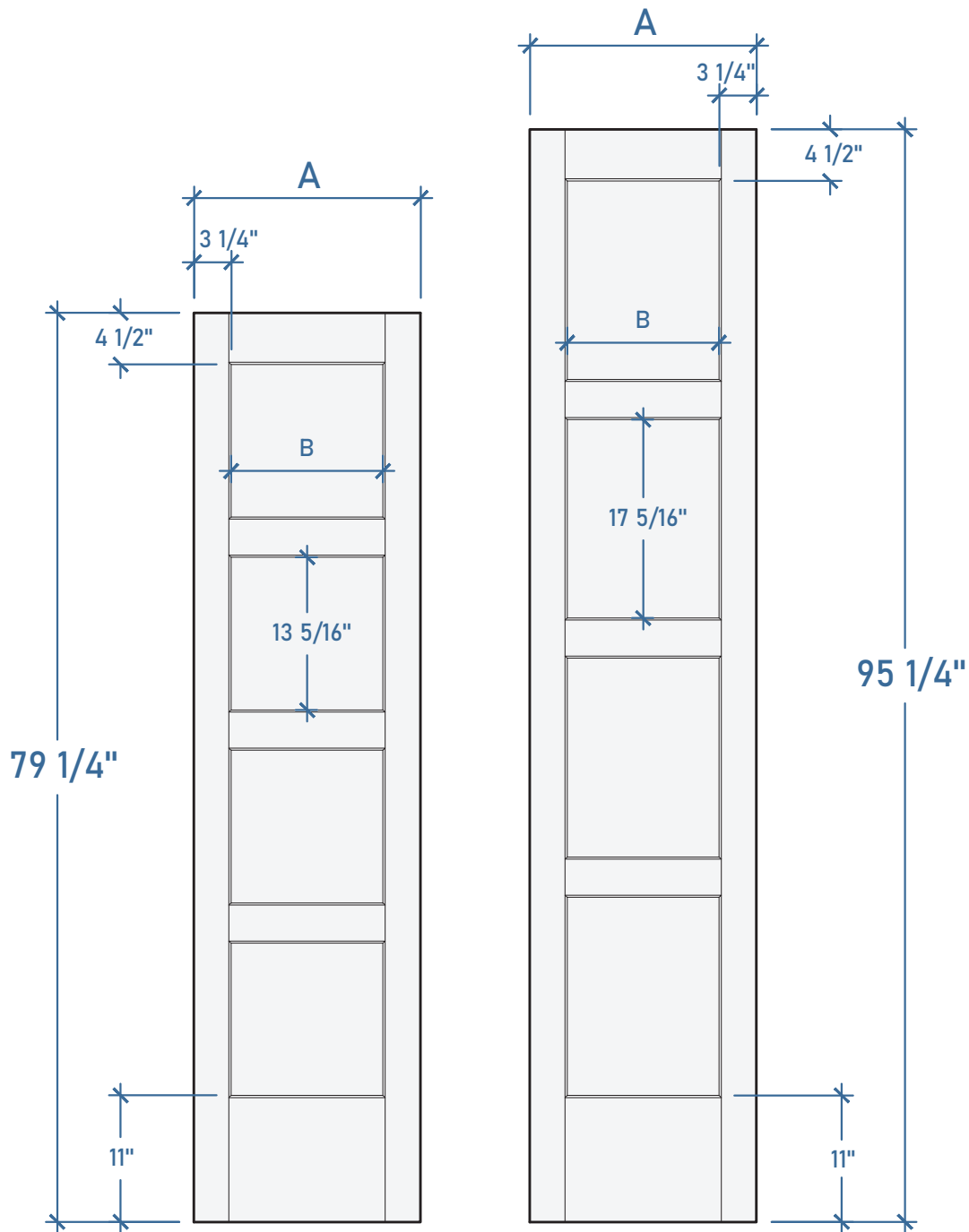
NOVA Classic Sidelite - Traditional



NC.S.20.68.T	2' 0"	A: 19-3/4"	B: 6"	
NC.S.12.68.T	1' 2"	A: 13-3/4"	B: 3"	
NC.S.10.68.T	1' 0"	A: 11-3/4"	B: 2"	

NC.S.20.80.T	2' 0"	A: 19-3/4"	B: 6"	
NC.S.12.80.T	1' 2"	A: 13-3/4"	B: 3"	
NC.S.10.80.T	1' 0"	A: 11-3/4"	B: 2"	

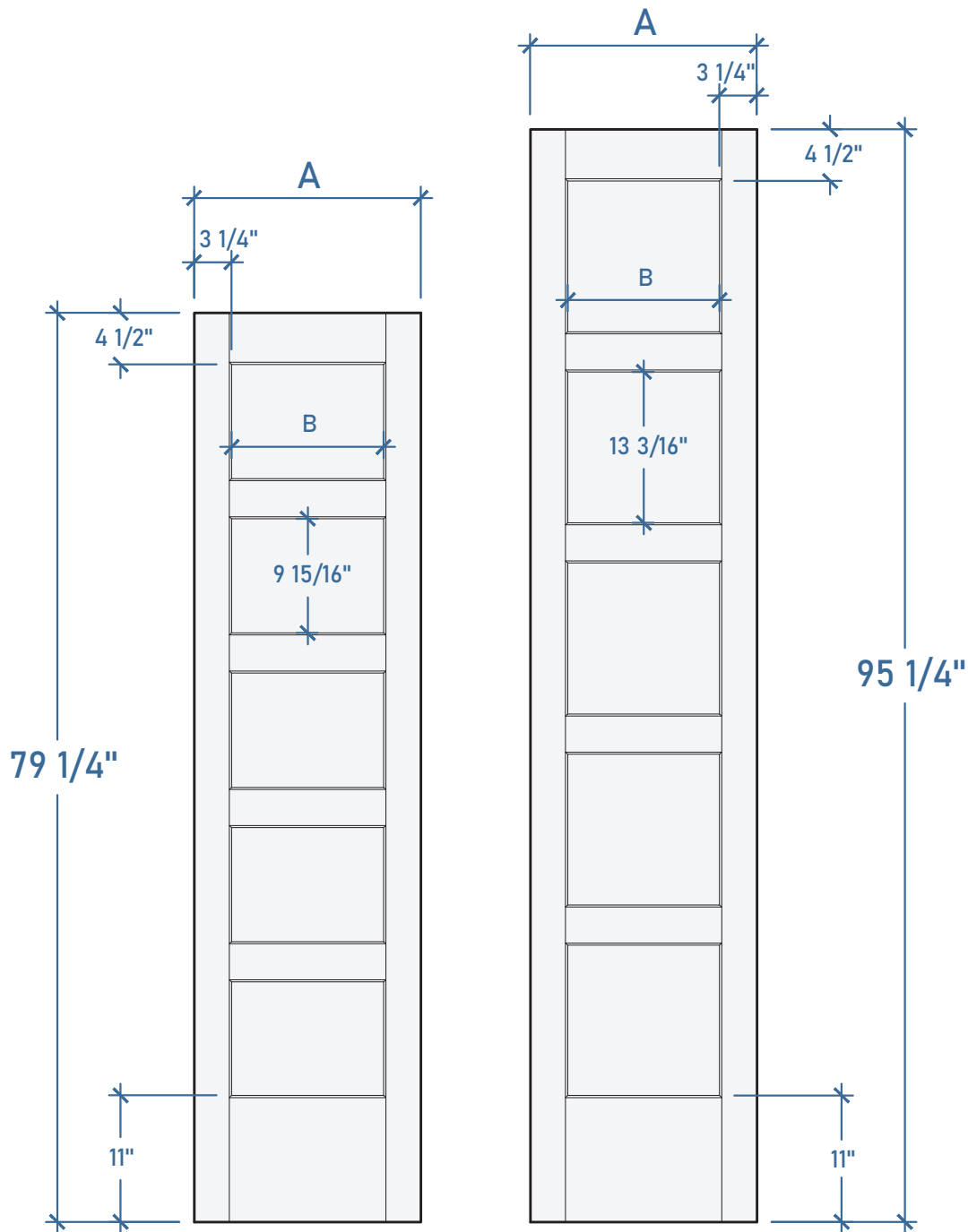
NOVA Classic Sidelite - Equal Wide 3H



NC.S.20.68.E3W	2' 0"	A: 19-3/4"	B: 13-1/4"	
NC.S.12.68.E3W	1' 2"	A: 13-3/4"	B: 7-1/4"	
NC.S.10.68.E3W	1' 0"	A: 11-3/4"	B: 5-1/4"	

NC.S.20.80.E3W	2' 0"	A: 19-3/4"	B: 13-1/4"	
NC.S.12.80.E3W	1' 2"	A: 13-3/4"	B: 7-1/4"	
NC.S.10.80.E3W	1' 0"	A: 11-3/4"	B: 5-1/4"	

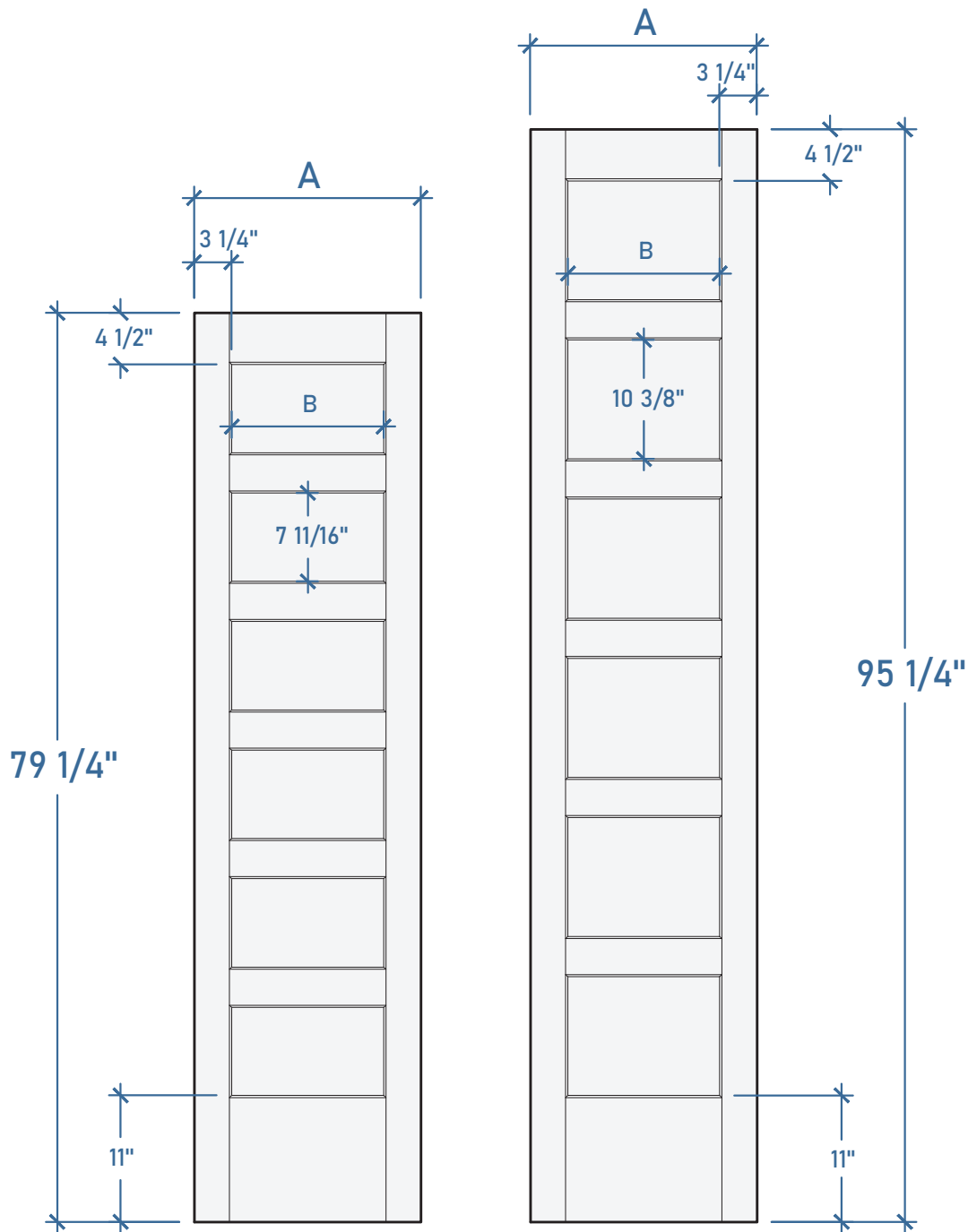
NOVA Classic Sidelite - Equal Wide 4H



NC.S.20.68.E4W	2' 0"	A: 19-3/4"	B: 13-1/4"	
NC.S.12.68.E4W	1' 2"	A: 13-3/4"	B: 7-1/4"	
NC.S.10.68.E4W	1' 0"	A: 11-3/4"	B: 5-1/4"	

NC.S.20.80.E4W	2' 0"	A: 19-3/4"	B: 13-1/4"	
NC.S.12.80.E4W	1' 2"	A: 13-3/4"	B: 7-1/4"	
NC.S.10.80.E4W	1' 0"	A: 11-3/4"	B: 5-1/4"	

NOVA Classic Sidelite - Equal Wide 5H



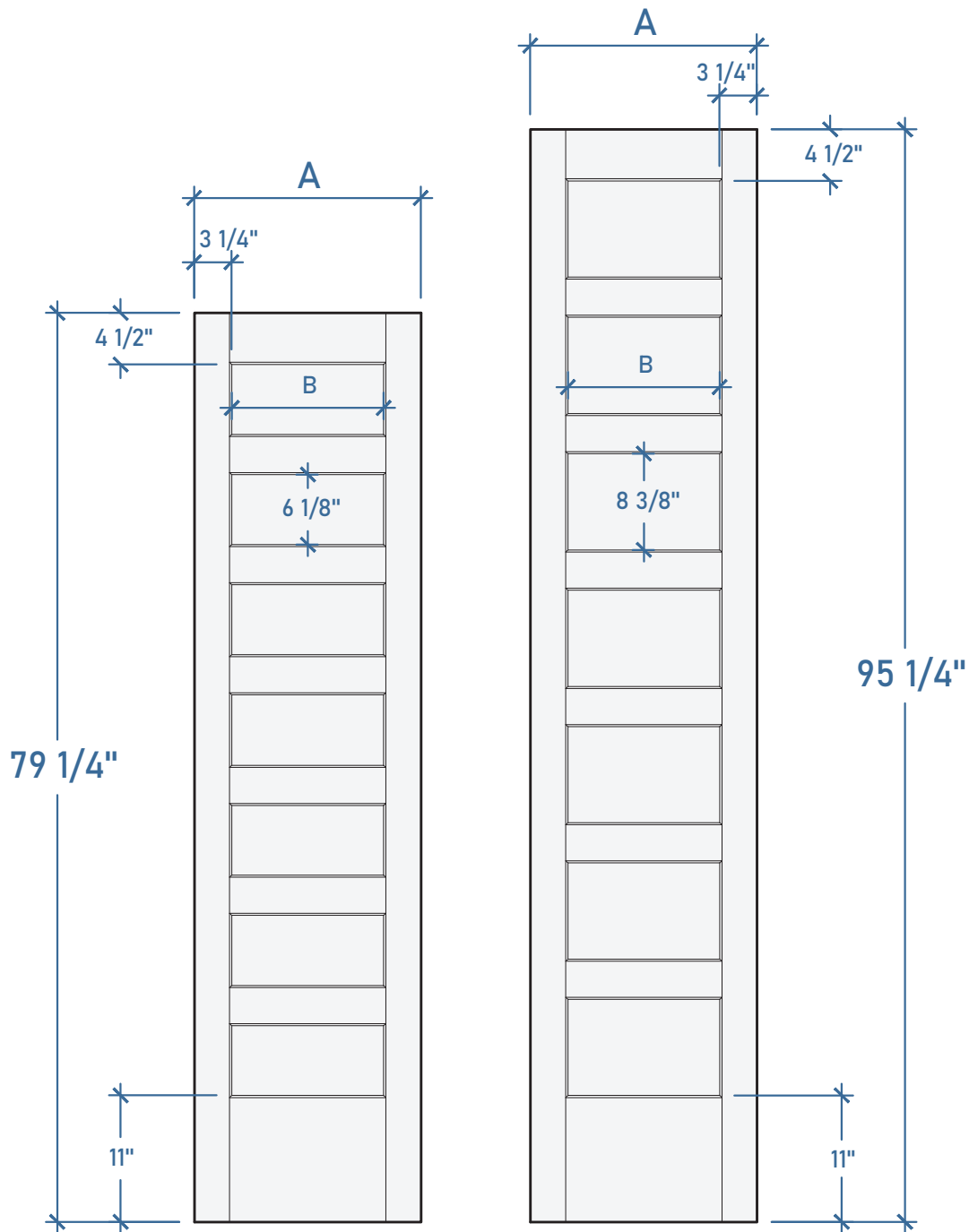
NC.S.20.68.E5W	2' 0"	A: 19-3/4"	B: 13-1/4"
NC.S.12.68.E5W	1' 2"	A: 13-3/4"	B: 7-1/4"
NC.S.10.68.E5W	1' 0"	A: 11-3/4"	B: 5-1/4"

NC.S.20.80.E5W	2' 0"	A: 19-3/4"	B: 13-1/4"
NC.S.12.80.E5W	1' 2"	A: 13-3/4"	B: 7-1/4"
NC.S.10.80.E5W	1' 0"	A: 11-3/4"	B: 5-1/4"

Flush Glazed
Smooth Skin
Fiberglass SDLs



NOVA Classic Sidelite - Equal Wide 6H



NC.S.20.68.E6W	2' 0"	A: 19-3/4"	B: 13-1/4"	
NC.S.12.68.E6W	1' 2"	A: 13-3/4"	B: 7-1/4"	
NC.S.10.68.E6W	1' 0"	A: 11-3/4"	B: 5-1/4"	

NC.S.20.80.E6W	2' 0"	A: 19-3/4"	B: 13-1/4"	
NC.S.12.80.E6W	1' 2"	A: 13-3/4"	B: 7-1/4"	
NC.S.10.80.E6W	1' 0"	A: 11-3/4"	B: 5-1/4"	